

arctic

Oven

User Manual

Cuptor

Manual de utilizare



AGG5611DTLB-

EN / RO

485.3024.45/R.AA/11.09.2023

7738482159



RECYCLED &
RECYCLABLE PAPER

Please read this user manual first!

Dear Customer,

Thank you for purchasing this Arctic product. We hope that you get the best results from your product which has been manufactured with high quality and state-of-the-art technology. Therefore, please read this entire user manual and all other accompanying documents carefully before using the product and keep it as a reference for future use. If you handover the product to someone else, give the user manual as well. Follow all warnings and information in the user manual.

Remember that this user manual is also applicable for several other models. Differences between models will be identified in the manual.

Explanation of symbols

Throughout this user manual the following symbols are used:



Important information or useful hints about usage.



Warning of hazardous situations with regard to life and property.



Warning of electric shock.



Warning of risk of fire.



Warning of hot surfaces.



Arçelik A.Ş.
Karaağaç caddesi No:2-6
34445 Sülüce/İstanbul/TURKEY
Made in TURKEY

TABLE OF CONTENTS

1 Important instructions and warnings for safety and environment **4**

General safety	4
Safety when working with gas	5
Electrical safety	6
Product safety	7
Intended use	9
Safety for children	10
Disposing of the old product	10
Package information	10
Future Transportation	11

2 General information **12**

Overview	12
Package contents	13
Technical specifications	14
Injector table	14

3 Installation **16**

Before installation	16
Installation and connection	18
Gas conversion	23

4 Preparation **28**

Tips for saving energy	28
Initial use	28

First cleaning of the appliance	28
Initial heating	28

5 How to use the hob **29**

General information about cooking	29
Using the hobs	29

6 How to operate the oven **31**

General information on baking, roasting and grilling	31
How to use the gas oven	32
Cooking times table	32
How to operate the gas grill	33
Cooking times table	34

7 Maintenance and care **35**

General information	35
Cleaning the hob	35
Cleaning the control panel	35
Cleaning the oven	36
Cleaning the oven door	36
Removing the door inner glass	37
Replacing the oven lamp	37

8 Troubleshooting **39**

1 Important instructions and warnings for safety and environment

This section contains safety instructions that will help protect from risk of personal injury or property damage. Failure to follow these instructions shall void any warranty.

General safety

- This appliance can be used by children aged from 8 years and above and persons with reduced physical, sensory or mental capabilities or lack of experience and knowledge if they have been given supervision or instruction concerning use of the appliance in a safe way and understand the hazards involved.

Children shall not play with the appliance. Cleaning and user maintenance shall not be made by children without supervision.

- The appliance is not to be used by persons (including children) with reduced physical, sensory or mental capabilities, or lack of experience and knowledge, unless they have been given supervision or instruction.

Children should be supervised and ensure they do not play with the appliance

- If the product is handed over to someone else for personal use or second-hand use purposes, the user manual, product labels and other relevant documents and parts should be also given.
- Never place the product on a carpet-covered floor. Otherwise, lack of airflow beneath the product will cause electrical parts to overheat. This will cause problems with your product.
- Installation and repair procedures must always be performed by Authorised Service Agents. The manufacturer shall not be held responsible for damages arising from procedures carried out by unauthorised persons which may also void the warranty. Before installation, read the instructions carefully.
- Do not operate the product if it is defective or has any visible damage.

- Ensure that the product function knobs are switched off after every use.

Safety when working with gas

- Any works on gas equipment and systems may only be carried out by authorised qualified persons who are Gas Safe registered.
- Prior to the installation, ensure that the local distribution conditions (nature of the gas and gas pressure) and the adjustment of the appliance are compatible.
- This appliance is not connected to a combustion products or evacuation device. It shall be installed and connected in accordance with current installation regulations. Particular attention shall be given to the relevant requirements regarding ventilation; See *Before installation, page 16*
- **CAUTION:** The use of gas cooking appliance results in the production of heat and moisture in the room in which it is installed. Ensure that the kitchen is well ventilated: keep natural ventilation holes open or install a mechanical ventilation device (mechanical extractor hood). Prolonged intensive use of the appliance may call for additional ventilation, for example increasing the level of the mechanical ventilation where present.
- Gas appliances and systems must be regularly checked for proper functioning. Regulator, hose and its clamp must be checked regularly and replaced within the periods recommended by its manufacturer or when necessary.
- Clean the gas burners regularly. The flames should be blue and burn evenly.
- This product should be used in a room which incorporates a properly adjusted and functioning Carbon Monoxide sensor. Make sure the Carbon Monoxide sensor works properly and is maintained frequently. Carbon Monoxide sensor should be installed maximum 2 meters away from the product.
- Good combustion is required in gas appliances. In case of incomplete combustion, carbon monoxide (CO) might develop. Carbon monoxide is a colourless, odourless and very toxic gas, which has a lethal effect even in very small doses.

- Request information about gas emergency telephone numbers and safety measures in case of gas smell from your local gas provider.
- Conditions and values for gas adjustment of this product are provided on the rating/type label.

What to do when you smell gas

- Do not use open flame or do not smoke. Do not operate any electrical buttons (e.g. lamp button, door bell and etc.) Do not use fixed or mobile phones. Risk of explosion and toxication!
- Open doors and windows.
- Turn off all valves on gas appliances and gas meter at the main control valve, unless it's in a confined space or cellar.
- Check all tubes and connections for tightness. If you still smell gas leave the property.
- Warn the neighbours.
- Call the fire-brigade. Use a telephone outside the house.
- Do not re-enter the property until you are told it is safe to do so.

Electrical safety

- If the product has a failure, it should not be operated

unless it is repaired by an Authorised Service Agent. There is the risk of electric shock!

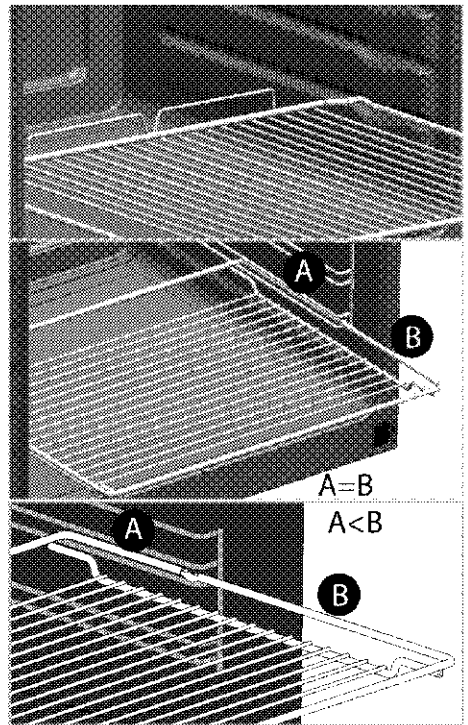
- Only connect the product to a grounded outlet/line with the voltage and protection as specified in the "Technical specifications". Have the grounding installation made by a qualified electrician while using the product with or without a transformer. Our company shall not be liable for any problems arising due to the product not being earthed in accordance with the local regulations.
- Never wash the product by spreading or pouring water onto it! There is the risk of electric shock!
- Never touch the plug with wet hands! Never unplug by pulling on the cable, always pull out by holding the plug.
- The product must be disconnected during installation, maintenance, cleaning and repairing procedures.
- If the power connection cable for the product is damaged, it must be replaced by the manufacturer, its service agent or similarly qualified persons in order to avoid a hazard.

- The appliance must be installed so that it can be completely disconnected from the mains supply. The separation must be provided by a switch built into the fixed electrical installation, according to construction regulations.
- Rear surface of the oven gets hot when it is in use. Make sure that the gas/electrical connection does not contact with the rear surface; otherwise, connections can get damaged.
- Do not trap the mains cable between the oven door and frame and do not route it over hot surfaces. Otherwise, cable insulation may melt and cause fire as a result of short circuit.
- Any work on electrical equipment and systems should only be carried out by authorised and qualified persons.
- In case of any damage, switch off the product and disconnect it from the mains. To do this, turn off the fuse at home.
- Make sure that fuse rating is compatible with the product.

Product safety

- **WARNING:** The appliance and its accessible parts become hot during use. Care should be taken to avoid touching heating elements. Children less than 8 years of age shall be kept away unless continuously supervised.
- Never use the product when your judgment or coordination is impaired by the use of alcohol and/or drugs.
- Be careful when using alcoholic drinks in your dishes. Alcohol evaporates at high temperatures and may cause fire since it can ignite when it comes into contact with hot surfaces.
- Food Poisoning Hazard: Do not let food sit in oven for more than 1 hour before or after cooking. Doing so can result in food poisoning or sickness.
- Do not place any flammable materials close to the product as the sides may become hot during use.
- During use the appliances becomes hot. Care should be taken to avoid touching heating elements inside the oven.

- Keep all ventilation slots clear of obstructions.
- Do not heat closed tins and glass jars in the oven. The pressure that would build-up in the tin/jar may cause it to burst.
- Do not place baking trays, dishes or aluminium foil directly onto the bottom of the oven. The heat accumulation might damage the bottom of the oven.
- Do not use harsh abrasive cleaners or sharp metal scrapers to clean the oven door glass since they can scratch the surface, which may result in shattering of the glass.
- Do not use steam cleaners to clean the appliance as this may cause an electric shock.
- (Varies depending on the product model.)
Placing the wire shelf and tray onto the wire racks properly
It is important to place the wire shelf and/or tray onto the rack properly. Slide the wire shelf or tray between 2 rails and make sure that it is balanced before placing food on it (Please see the following figure).



- Do not use the product if the front door glass is removed or cracked.
- Do not use the oven handle to hang towels for drying. Do not hang up towel, gloves, or similar textile products when the grill function is at open door.
- Always use heat resistant oven gloves when putting in or removing dishes into/from the hot oven.
- Place the baking paper into the cooking pot or on to the oven accessory (tray, wire grill etc) together with the food and then insert all into

the preheated oven. Remove the excess parts of the baking paper overflowing from the accessory or the pot in order to prevent the risk of touching the oven's heating elements. Never use the baking paper in an operating temperature higher than the indicated value for the baking paper. Do not place the baking paper directly on the base of the oven.

- **WARNING:** Ensure that power cord of the appliance is unplugged or circuit breaker is switched off before replacing the lamp to avoid the possibility of electric shock.
- Do not close the top cover before the hotplates or burners cool down. Wipe the top cover dry before opening it in order to avoid water leakage to the rear and inner sections of the oven.
- The appliance must not be installed behind a decorative door in order to avoid overheating.
- Product must be placed directly on the floor. It must not be placed onto a base or a pedestal.

- **WARNING:** Unattended cooking on a hob with fat or oil can be dangerous and may result in fire. NEVER try to extinguish a fire with water, but switch off the appliance and then cover flame e.g. with a lid or a fire blanket.
- **CAUTION:** The cooking process has to be supervised. A short term cooking process has to be supervised continuously.
- **WARNING:** Danger of fire: Do not store items on the cooking surfaces.

Prevention against possible fire risk!

- Ensure all electrical connections are secure and tight to prevent risk of arcing.
- Do not use damaged cables or extension cables.
- Ensure liquid or moisture is not accessible to the electrical connection point.
- To prevent gas leakage ensure that the gas connection is sound.

Intended use

- This product is designed for domestic use. Commercial use will void the guarantee.
- **CAUTION:** This appliance is for cooking purposes only. It must not be used for other

purposes, for example room heating.

- This product should not be used for warming the plates under the grill, drying towels, dish cloths etc. by hanging them on the oven door handles. This product should also not be used for room heating purposes.
- The manufacturer shall not be liable for any damage caused by improper use or handling errors.
- The oven can be used for defrosting, baking, roasting and grilling food.

Safety for children

- **WARNING:** Accessible parts may become hot during use. Young children should be kept away.
- The packaging materials will be dangerous for children. Keep the packaging materials away from children. Please dispose of all parts of the packaging according to environmental standards.
- Electrical and/or gas products are dangerous to children. Keep children away from the product when it is operating and do not allow them to play with the product.

- An additional protective means to avoid contact with the oven door is available. This part should be fitted when young children are likely to be present.
- Do not place any items above the appliance that children may reach for.
- When the door is open, do not load any heavy object on it and do not allow children to sit on it. It may overturn or door hinges may get damaged.

Disposing of the old product

Compliance with the WEEE Directive and Disposing of the Waste Product:



This product complies with EU WEEE Directive (2012/19/EU). This product bears a classification symbol for waste electrical and electronic equipment (WEEE).

This product has been manufactured with high quality parts and materials which can be reused and are suitable for recycling. Do not dispose of the waste product with normal domestic and other wastes at the end of its service life. Take it to the collection center for the recycling of electrical and electronic equipment. Please consult your local authorities to learn about these collection centers.

Compliance with RoHS Directive:

The product you have purchased complies with EU RoHS Directive (2011/65/EU). It does not contain harmful and prohibited materials specified in the Directive.

Package information

- Packaging materials of the product are manufactured from recyclable materials

in accordance with our National Environment Regulations. Do not dispose of the packaging materials together with the domestic or other wastes. Take them to the packaging material collection points designated by the local authorities.

Future Transportation

- Keep the product's original carton and transport the product in it. Follow the instructions on the carton. If you do not have the original carton, pack the product in bubble wrap or thick cardboard and tape it securely.
- To prevent the wire grill and tray inside the oven from damaging the oven door, place a strip of cardboard onto the inside

of the oven door that lines up with the position of the trays. Tape the oven door to the side walls.

- Secure the caps and pan supports with adhesive tape.
- Do not use the door or handle to lift or move the product.



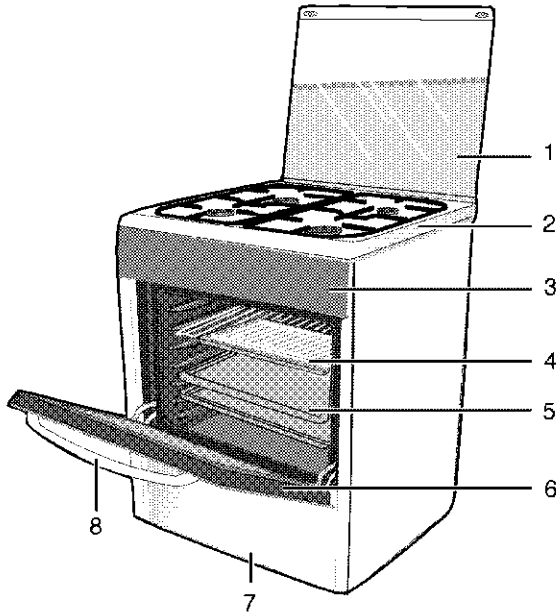
Do not place any objects onto the product and move it in upright position.



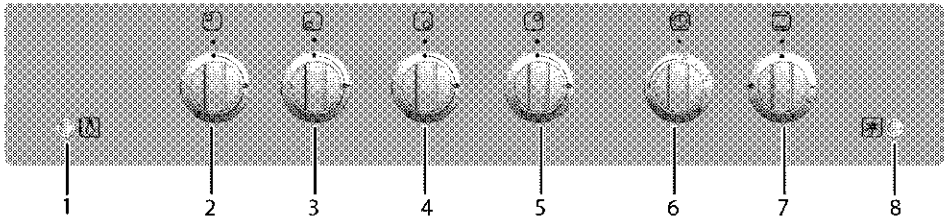
Check the general appearance of your product for any damages that might have occurred during transportation.

2 General information

Overview



- | | | | |
|---|---------------|---|------------|
| 1 | Top lid | 5 | Tray |
| 2 | Burner plate | 6 | Front door |
| 3 | Control panel | 7 | Lower part |
| 4 | Wire shelf | 8 | Handle |



- | | |
|---|------------------------------|
| 1 | Lamp and Turnspit button |
| 2 | Normal burner Rear left |
| 3 | Rapid burner Front left |
| 4 | Auxiliary burner Front right |
| 5 | Normal burner Rear right |
| 6 | Mechanical timer |
| 7 | Oven knob |
| 8 | Ignition button |

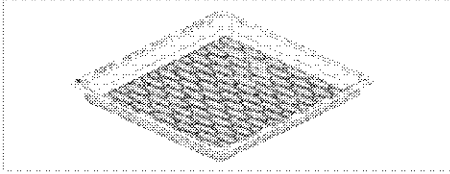
Package contents

i Accessories supplied can vary depending on the product model. Not every accessory described in the user manual may exist on your product.

1. User manual

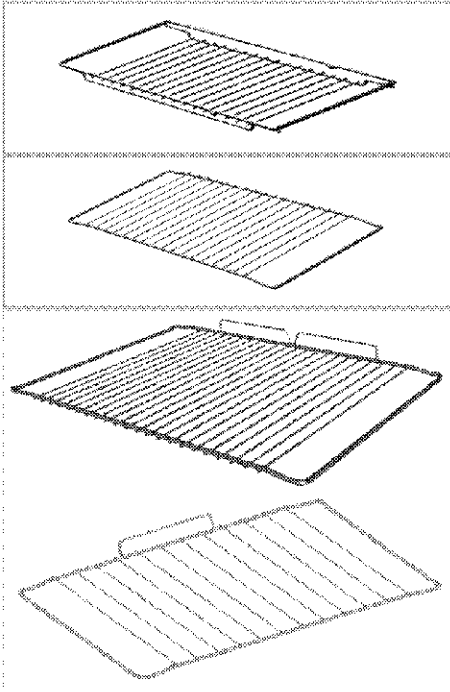
2. Standard tray

Used for pastries, frozen foods and big roasts.



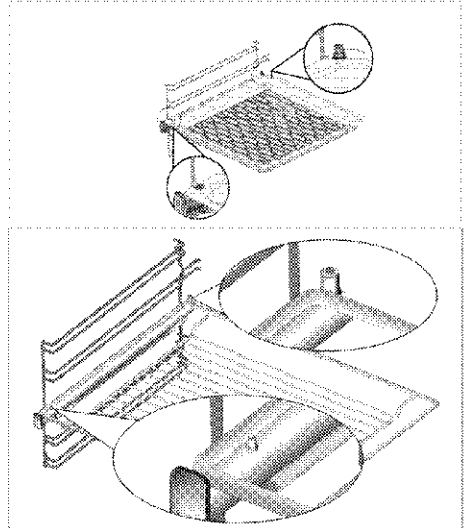
Wire grill

Used for roasting and for placing the food to be baked, roasted or cooked in casserole dishes to the desired rack.



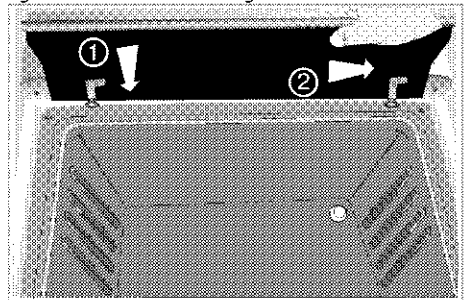
3. Placing the wire shelf and tray onto the telescopic racks properly (This feature is optional. It may not exist on your product.)

Telescopic racks allow you to install and remove the trays and wire shelf easily. When using the tray and wire shelf with telescopic racks, make sure that the pins at the rear section of the telescopic rack stands against the edges of the wire shelf and tray.



4. Knob protection sheet

Used for grilling with the oven door open. Protects the control panel and buttons against heat and soiling.



Technical specifications

GENERAL	
External dimensions (height / width / depth)	850 mm/500 mm/600 mm
Voltage / frequency	220-240 V ~ 50 Hz
Cable type / section	min.H05VV-FG 3 x 0,75 mm ²
Category of gas product	Cat II 2H3B/P
Installed gas type / pressure of the product	G 20/20 mbar
Total gas consumption	10,4 kW (756 g/h)
Converting the gas type / pressure ^s optional	G 30/28-30 mbar
HOB	
Burners	
Rear left	Normal burner
Power	2 kW (145 g/h)
Front left	Rapid burner
Power	2,9 kW (211 g/h)
Front right	Auxiliary burner
Power	1 kW (73 g/h)
Rear right	Normal burner
Power	2 kW(145 g/h)
OVEN/GRILL	
Main oven	Gas oven
Inner lamp	15 25 W
Grill power consumption	2,5 kW (182 g/h)
Gas consumption of oven	2,5 kW (182 g/h)

i Technical specifications may be changed without prior notice to improve the quality of the product.

i Figures in this manual are schematic and may not exactly match your product.

i Values stated on the product labels or in the documentation accompanying it are obtained in laboratory conditions in accordance with relevant standards. Depending on operational and environmental conditions of the product, these values may vary.

Injector table

Position hob zone	2 kW (145 g/h) Rear left	2,9 kW (211 g/h) Front left	1 kW (73 g/h) Front right	2 kW (145 g/h) Rear right
Gas type / Gas pressure				
G 20/20 mbar	103	115	72	103
G 30/28-30 mbar	72	87	50	72
Gas type / Gas pressure	Gas oven		Grill	
G 20/20 mbar	116		115	
G 30/28-30 mbar	77		73	

You can obtain the injectors which were not provided with your product, from the authorised service provider.

Country gas categories/types/pressure

You can find the gas type, pressure and gas category that can be used for the country where the product will be installed in the table below.

COUNTRY CODES	CATEGORY		GAS TYPE AND PRESSURE			
			G20,20 mbar	G25,25 mbar	G30,28 30 mbar	G31,37 mbar
FR	Cat II	2E+3+	G20,20 mbar	G25,25 mbar	G30,28 30 mbar	G31,37 mbar
BE	Cat II	2E+3+	G20,20 mbar	G25,25 mbar	G30,28 30 mbar	G31,37 mbar
RU	Cat II	2H3B/P	G20,20 mbar	G30,30 mbar	G20,13 mbar	G20,10 mbar
CZ	Cat II	2H3+	G20,20 mbar	G30,28 30 mbar	G31,37 mbar	
NL	Cat II	2E(43.46 - 45.3 MJ/m ³ (0°C))3B/P	G25.3,25 mbar	G20,20 mbar	G30,30 mbar	
	Cat II	2L3B/P	G25,25 mbar	G20,20 mbar	G30,30 mbar	
GB	Cat II	2H3+	G20,20 mbar	G30,28 30 mbar	G31,37 mbar	
IE	Cat II	2H3+	G20,20 mbar	G30,28 30 mbar	G31,37 mbar	
ES	Cat II	2H3+	G20,20 mbar	G30,28 30 mbar	G31,37 mbar	
PT	Cat II	2H3+	G20,20 mbar	G30,28 30 mbar	G31,37 mbar	
CH	Cat II	2H3+	G20,20 mbar	G30,28 30 mbar	G31,37 mbar	
IT	Cat II	2H3+	G20,20 mbar	G30,28 30 mbar	G31,37 mbar	
SK	Cat II	2H3+	G20,20 mbar	G30,28 30 mbar	G31,37 mbar	
CY	Cat II	2H3+	G20,20 mbar	G30,28 30 mbar	G31,37 mbar	
SI	Cat II	2H3+	G20,20 mbar	G30,28 30 mbar	G31,37 mbar	
GR	Cat II	2H3+	G20,20 mbar	G30,28 30 mbar	G31,37 mbar	
PL	Cat II	2ELS3B/P	G20,20 mbar	G2 350,13 mbar	G30,37 mbar	
	Cat II	2E3P(B/P)	G20,20 mbar	G30,37 mbar		
DE	Cat II	2E3B/P	G20,20 mbar	G30,50 mbar		
AT	Cat II	2H3B/P	G20,20 mbar	G30,50 mbar		
SE	Cat II	2H3B/P	G20,20 mbar	G30,30 mbar		
LT	Cat II	2H3B/P	G20,20 mbar	G30,30 mbar		
NO	Cat II	2H3B/P	G20,20 mbar	G30,30 mbar		
RO	Cat II	2H3B/P	G20,20 mbar	G30,30 mbar		
DK	Cat II	2H3B/P	G20,20 mbar	G30,30 mbar		
EE	Cat II	2H3B/P	G20,20 mbar	G30,30 mbar		
MA	Cat II	2H3B/P	G20,20 mbar	G30,30 mbar		
FI	Cat II	2H3B/P	G20,20 mbar	G30,30 mbar		
HR	Cat II	2H3B/P	G20,20 mbar	G30,30 mbar		
TR	Cat II	2H3B/P	G20,20 mbar	G30,30 mbar		
MT	Cat I	3B/P	G30,30 mbar			
IS	Cat I	2H	G20,20 mbar			
LV	Cat I	2H	G20,20 mbar			
LU	Cat I	2E	G20,20 mbar			
BG	Cat I	2H	G20,20 mbar			
	Cat I	3B/P	G30,30 mbar			
HU	Cat I	2H	G20,25 mbar			
	Cat I	3B/P	G30,30 mbar			

3 Installation

Product must be installed by a qualified person in accordance with the regulations in force. The manufacturer shall not be held responsible for damages arising from procedures carried out by unauthorized persons which may also void the warranty.

i Preparation of location and electrical and gas installation for the product is under customer's responsibility.

! The product must be installed in accordance with all local gas and/or electrical regulations.

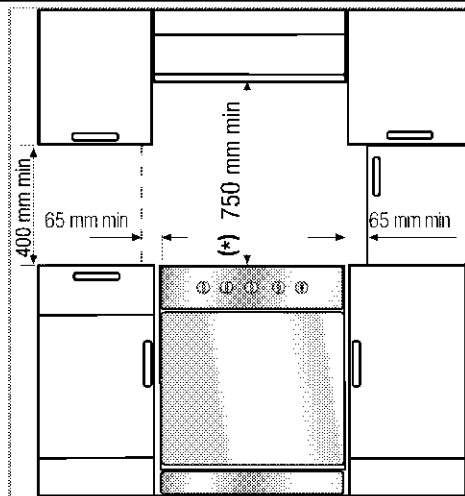
! Prior to installation, visually check if the product has any defects on it. If so, do not have it installed. Damaged products cause risks for your safety.

Before installation

To ensure that critical air gaps are maintained under the appliance, we recommend that this appliance is mounted on a solid base and that the feet do not sink into any carpet or soft flooring.

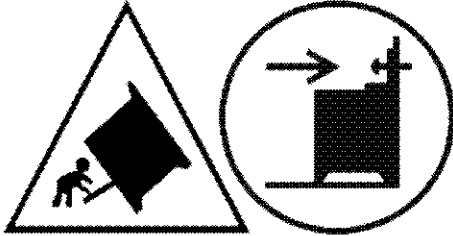
The kitchen floor must be able to carry the weight of the appliance plus the additional weight of cookware and bakeware and food. If the range is placed on a base, measures have to be taken to prevent the appliance slipping from the base.

The appliances must not be installed behind a decorative door in order to avoid overheating.



- This product is a class 1 device according to EN 30-1-1 standard, i.e. it may be placed with the rear and **one** side to kitchen walls, kitchen furniture or equipment of any size. The kitchen furniture or equipment on the **other** side may only be of the same size or smaller.
- It can be used with cabinets on either side but in order to have a minimum distance of 400mm above hotplate level allow a side clearance of 65mm between the appliance and any wall, partition or tall cupboard.
- It can also be used in a free standing position. Allow a minimum distance of 750 mm above the surface.
- (*) If a cooker hood is to be installed above the cooker, refer to cooker hood manufacturer's instructions regarding installation height. If not defined any size in the hood manual, this height should be at least 650 mm.
- Any kitchen furniture next to the appliance must be heat-resistant (100 °C min.).

! Warning - Risk of tipping!



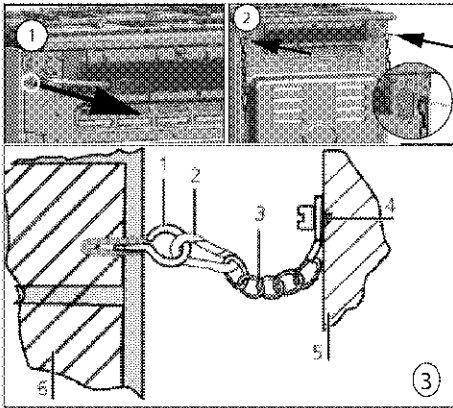
Warning: In order to prevent tipping of the appliance, this stabilizing means must be installed. Refer to the instructions for installation.

Safety chain

If your product has 2 safety chains;

The appliance must be secured against overbalancing by using the supplied two safety chains on your oven.

Fasten hook (1) by using a proper peg to the kitchen wall (6) and connect safety chain (3) to the hook via the locking mechanism (2).

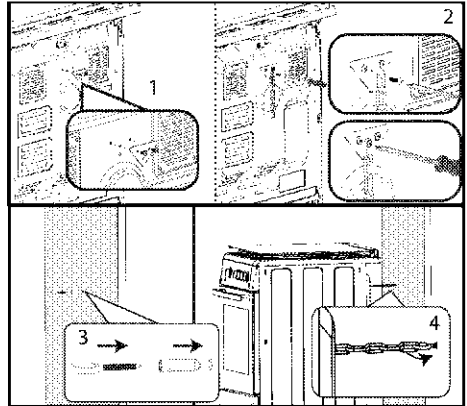


- 1 Stability hook
- 2 Locking mechanism
- 3 Safety chain (supplied and mounted to oven)
- 4 Firmly fix chain to cooker rear
- 5 Rear of cooker
- 6 Kitchen wall

If your product has 1 safety chain;

The appliance must be secured against overbalancing by using the supplied one safety chain on your oven.

Follow below steps in the picture to secure the safety chain to your product.



i Stability chain to be as short as practicable to avoid oven tilting forward and diagonal to avoid oven side tilting.

Cooker stability chain for cookers is not designed with bracket engagement slot.

Room ventilation

All rooms require an openable window, or equivalent, and some rooms will require a permanent vent as well. The air for combustion is taken from the room air and the exhaust gases are emitted directly into the room. Good ventilation is essential for safe operation of your appliance.

Rooms with doors and/or windows which open directly to the outer environment

The doors and/or windows that open directly to the outer environment must have a total ventilation opening of the dimensions specified in the table below which is based on the total gas power of the appliance (total gas power consumption of the appliance is shown in the technical specification table of this user manual). If the doors and/or windows do not have a total ventilation opening corresponding to the total gas consumption of the appliance as specified in the table below, then there must definitely be an additional fixed ventilation opening in the room to ensure that the total minimum ventilation requirements for the total gas consumption of the appliance is achieved.

The fixed ventilation opening can include openings for existing airbricks, extraction hood ducting opening dimension etc.

Total gas consumption (kW)	min. Ventilation opening (cm ²)
0-2	100
2-3	120
3-4	175
4-6	300
6-8	400
8-10	500
10-11.5	600
11.5-13	700
13-15.5	800
15.5-17	900
17-19	1000
19-24	1250

Rooms that do not have openable doors and/or windows that open directly to the outer environment

If the room where the appliance is installed does not have a door and/or a window that opens directly to the outer environment, other products shall be sought that definitely provide a fixed nonadjustable and non-closable ventilation opening which meets the total minimum ventilation opening requirements for the total gas consumption of the appliance as indicated in the above table. Also the appropriate building regulations advise should be followed.

Where a room or internal space contains more than one gas appliance, additional ventilation area shall be provided on top of the requirement given in the table above. Size of additional ventilation area shall be appropriate to regulations of other gas appliances.

There should also be a minimum clearance of 10mm on the bottom edge of the door that opens to the inner environment in the room where the appliance is installed. You must ensure that items such as carpets and other floorcoverings etc., do not affect the clearance when the door is closed.



The cooker may be located in a kitchen, kitchen/diner or a bed-sitting room, but not in a room containing a bath or a shower.

The cooker must not be installed in a bed-sitting room of less than 20m².

Do not install this appliance in a room below ground level unless it is open to ground level on at least one side.


Installation and connection


Product can only be installed and connected in accordance with the statutory installation rules.

-  Do not install the product next to refrigerators or freezers. The heat emitted by the product will increase the energy consumption of cooling appliances.
- Carry the product with at least two persons.
- Product must be placed directly on the floor. It must not be placed onto a base or a pedestal.
-  Do not use the door and/or handle to carry or move the product. The door, handle or hinges get damaged.

Electrical connection

Connect the product to a grounded outlet/line protected by a miniature circuit breaker of suitable capacity as stated in the "Technical specifications" table. Have the grounding installation made by a qualified electrician while using the product with or without a transformer. Our company shall not be liable for any damages that will arise due to using the product without a grounding installation in accordance with the local regulations.


-  The product must be connected to the mains supply only by an authorised and qualified person. The product's warranty period starts only after correct installation. Manufacturer shall not be held responsible for damages arising from procedures carried out by unauthorised persons.


 The power cable must not be clamped, bent or trapped or come into contact with hot parts of the product.


A damaged power cable must be replaced by a qualified electrician. Otherwise, there is risk of electric shock, short circuit or fire!

The mains supply data must correspond to the data specified on the type label of the product. The rating plate is either seen when the door or the lower cover is opened or it is located at the rear wall of the unit depending on the unit type.

Power cable of your product must comply with the values in "Technical specifications" table.

 Power cable plug must be within easy reach after installation (do not route it above the hob).

 While performing the wiring, you must apply with the national/local electrical regulations and must use the appropriate socket outlet/line and plug for product. In case of the product's power limits are out of current carrying capability of plug and socket outlet/line, the product must be connected through fixed electrical installation directly without using plug and socket outlet/line.

 Before starting any work on the electrical installation, disconnect the product from the mains supply. There is the risk of electric shock!

Connect the power cable into the socket.

Gas connection

 **General warnings**

- There is risk of explosion, fire and toxication could be occur if installation, repair or connection are made from unauthorised/unlicensed/ unqualified person or technician.
- Before placing the product, make sure that the local distribution conditions (gas type and pressure) and whether the prod-

uct gas setting complies with these conditions. Gas adjustment conditions and values of the product are located on the labels (or type label).

- If your country code is not on the label, follow the local technical instructions for your country for gas connection and conversion.
- Product can be connected to gas supply system only by an authorised/licensed/ qualified person or technician.
- Manufacturer shall not be held responsible for damages arising from procedures carried out by unauthorised/unlicensed/ unqualified person or technician.
- Before starting any work on the gas installation, disconnect the gas supply. There is the risk of explosion!
- **If you need to use your product later with a different type of gas, you must consult the authorised/licensed/ qualified person or technician for the related conversion procedure.**
- Make sure that the gas connection is checked well for tightness after each use. The manufacturer cannot be held responsible for any damages that may arise due to gas leakage that may occur as a result of gas connection or conversion made by unauthorized/non-licensed persons.



Risks of fire:

If you do not make the connection according to the instructions below, there will be the risk of gas leakage and fire. **Our company cannot be held responsible for damages resulting from this.**

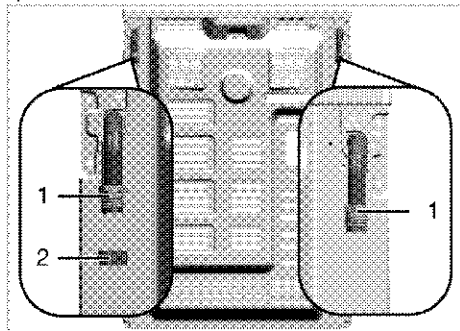
- Gas connection must be made by an authorised/licensed/ qualified person or technician only.
- Make sure that the gas hose to be used in the gas connection complies with the local gas standards.
- The flexible gas hose must be connected in a way that it does not contact the moving parts and hot surfaces (shown below figures) around it and is not trapped when the moving parts are travelling. (e.g. drawers). Besides, it should not be placed in spaces where it might get squeezed.

- Do not move the product whose gas connection is complete. If it is moved, there may be a risk of gas leakage.
- The gas hose should be connected by making wide-angle turns against the possibility of breaking and folding during the connection.
- The gas hose should not be crushed, folded, pinched, touched by sharp corners or come into contact with hot parts of the product and cookware on the product. There is a risk of explosion due to damage to the gas hose!
- The gas hose should not come into contact with parts that can reach a temperature of 70 C above room temperature.
- A spanner must be used for gas connection and conversion.

Choosing the gas connection side

If your product has two gas outlets; the connection direction can be changed according to the direction of the gas main supply.

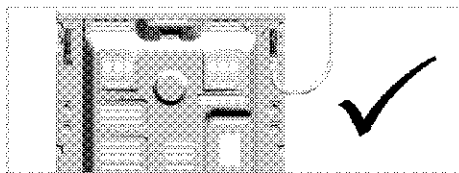
- One of the two outlets is sealed with a blind plug. The end of the other outlet is open.



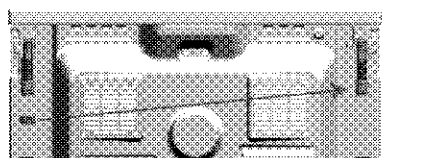
- 1 Gas hose outlet
- 2 Blind plug

(The outlet to which the blind plug is attached may vary depending on the product model.)

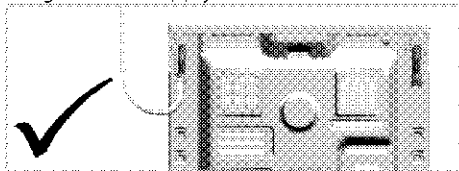
- Before gas connection, make sure that the gas main supply and the gas hose outlet of the product to be connected to the gas is on the same side.
- If the gas main supply and the open-ended gas hose outlet are on the same side, make the gas connection as shown in the figure below.



- If the gas main supply and the gas hose outlet sealed with the blind plug face on the same side, remove the blind plug from the gas hose outlet using two wrenches. Close the gas hose outlet with this blind plug where gas connection will not be made with a new (unused) sealing gasket.
- You must be sure that the sealing gasket is correctly positioned in place.

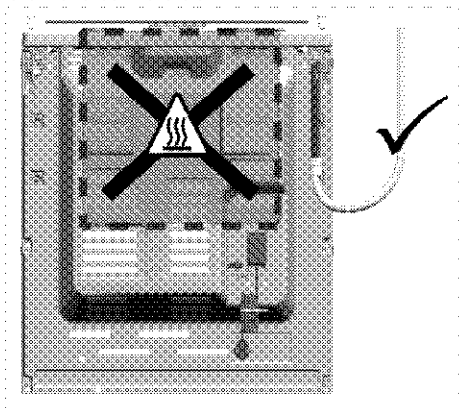


- Make the gas connection as shown in the figure below on the gas hose outlet near the gas main supply.

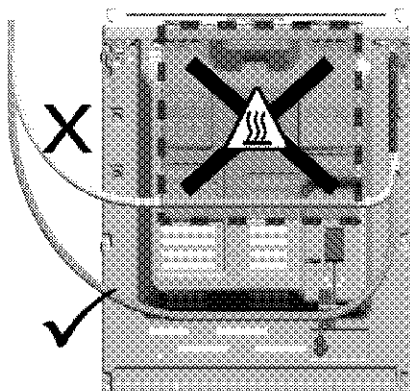


If your product has only one gas outlet;

- Before gas connection, make sure that the gas main supply and the gas hose outlet of the product to be connected to the gas is on the same side.








- If the gas hose outlet and the gas main supply do not face on the same side, make sure that the hose does not pass through the hot area when connecting it.



Parts for Gas Connection

The parts and tools visuals, may be required for the gas connection are given below. Depending on the model, these parts may not be given with the product. The gas connections parts to be used may vary according to the gas type and country regulations.

	Leakage Seal
	Connection piece for natural gas (G20, G25) EN 10226 R1/2"
	Connection piece for liquid gas (G30, G31)
	Gas outlet connection piece
	Blind plug

Making the gas connection - NG

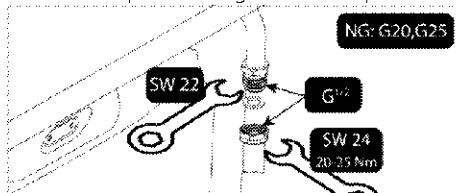
- Natural gas installation must be prepared suitably for the assembly before installing

the product. There must be a natural gas valve at the outlet of gas system to be connected to the product.

- Make sure that the natural gas valve is readily accessible.
- Connect your product to the natural gas system in your home with a flexible gas hose that complies with local standards.
- A new sealing gasket must be used while making the gas connection.
- The gas supply must be connected via a gas pipe or a safety gas hose with threaded fittings at both ends.
- The connection can be made in two different ways:
 - EN ISO 228 G1/2" type connection
 - EN 10226 R1/2" type connection

EN ISO 228 G1/2" type connection

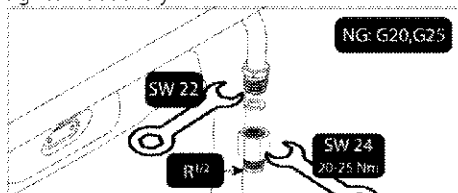
1. Place the new seal in the connection piece and make sure the seal is seated correctly.
2. Secure the gas connection piece to the appliance with using a 22 mm spanner and place the connection piece into the connection piece using a 24 mm spanner.



3. You must check for leakage of the connection part after connection.

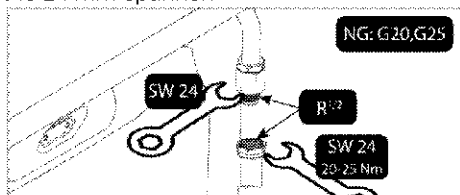
EN 10226 R1/2" type connection

1. Place the new seal in the connection piece for natural gas and make sure the seal is seated correctly.
2. While holding the gas connection outlet of the product fixed with a 22 mm spanner, connect the interconnection piece to the product gas outlet with a 24 mm spanner and tighten securely.



3. Wrap a sealing compound around the threaded part of the interconnector. Con-

nect the threaded part of the safety gas hose/pipe to the interconnector with the 24 mm spanner and tighten securely, holding the interconnector in place with the 24 mm spanner.



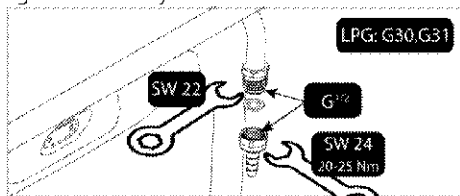
4. You must check for leakage of the connection part after connection.

Making the gas connection - LPG

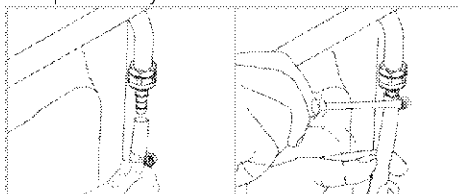
- Your product should be connected in a way that it will be close to the gas connection to prevent gas leakage.
- Before making your gas connection, provide a plastic gas hose and suitable mounting clamp. The inner diameter of the plastic gas hose must be 10 mm and the length should not be longer than 150 cm. The plastic hose must be leak-proof and inspectable.
- Gas appliances and systems must be regularly checked for proper functioning. Regulator, hose and its clamp must be checked regularly and replaced within the periods recommended by its manufacturer or when necessary.
- A new sealing gasket must be used while making the gas connection.
- The gas connection must be made via a gas hose or a fixed connection.

Connection with gas hose

1. Place the new seal in the connection piece for liquid gas and make sure the seal is seated correctly.
2. Secure the gas connection outlet of the product with a 22 mm spanner, connect the connecting piece to the gas outlet of the product with a 24 mm spanner and tighten securely.



3. Fit the mounting clamp to one end of the gas hose. Soften the end of the gas hose to which you have attached the clamp by placing it in boiling water for one minute.
4. Insert the softened gas hose all the way into the connection piece. Tighten the clamp securely with a screwdriver.



5. You must check for leakage of the connection part after connection.

Leakage check at the connection point

- Make sure that all knobs on the product are turned off. Make sure that the gas supply is open. Prepare soapy foam and apply it onto the connection point of the hose for gas leakage control.
- Soapy part will froth if there is a gas leakage. In this case, inspect the gas connection once again.
- **If your product has two gas hose outlets,** make sure that the unused gas outlet is sealed with a blind plug. Prepare soapy foam and apply it onto the connection point of the blind plug to check for gas leaks. Soapy part will froth if there is a gas leakage. In this case, inspect the blind plug connection again.
- Instead of soap, you can use commercially available sprays for gas leak check.
- If there is gas leak, shut off the gas supply and ventilate the room.

i Never use a match or lighter to make the gas leakage control.

- Push the product towards the kitchen wall.
- **Adjusting the feet of oven**
Vibrations during use may cause cooking vessels to move. This dangerous situation can be avoided if the product is level and balanced.

For your own safety please ensure the product is level by adjusting the four feet at the bottom by turning left or right and align level with the work top.

Final check

1. Open gas supply.

2. Check gas installations for secure fitting and tightness.
3. Ignite burners and check appearance of the flame.

i Flame must be blue and have a regular shape. If the flame is yellowish, check if the burner cap is seated securely or clean the burner.

Gas conversion

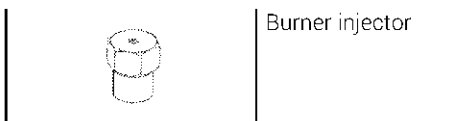
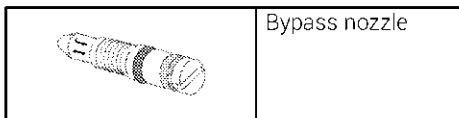


General warnings

- Before starting any work on the gas installation, disconnect the gas main supply. There is the risk of explosion!
- All gas injectors must be replaced and the burning adjustment of the gas taps must be made in reduced flow rate position in order to make the product suitable for use with another gas.
- After the gas type has been changed, the new gas type label on the spare bag must be applied onto the current label already on the backwall of product.
- The convertible gas type and gas categories of your product by country are given in the "Country gas categories/types/pressure" section. Check the table in this table for the types of gas you can convert in your local area. You cannot convert to unspecified gas types in this table.
- Spare injector suitable for the type of gas you wish to convert may not be supplied with product. You can obtain the injectors from the authorized service or from the place where you purchased the product.
- Injector values and gas types that should be used for burners are given at the end of the section. Make the connection of the gas type to be converted as described in the gas connection section.

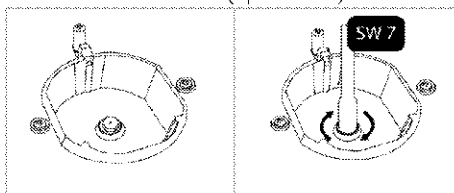
Parts for Gas Conversion

The parts and tools visuals, may be required for the gas conversion are given below. Depending on the model, these parts may not be given with the product.

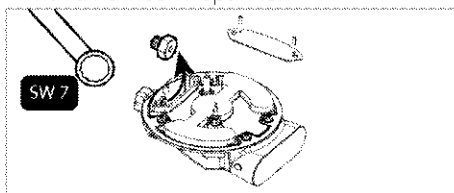


Exchange of injector for the burners

1. Turn all control knobs to off positions on the control panel.
2. Shut off the gas supply.
3. Remove the pan supports, the cap and head of the hob burners.
4. Remove the gas injectors by turning counter clockwise. (spanner 7)



5. If your product has a wok combustor with a side-entry injector, remove the injector with a number 7 spanner.



i ((Varies depending on the product model.))

On some hob burners, the injector is covered with a metal piece. This metal cover must be removed for injector replacement.

6. Install the new gas injectors. (Tightening torque 4 Nm)
7. Check all connections in order to make sure that they are installed safely and securely.

i New injectors have their position marked on their packing or injector table on *Injector table, page 14* can be referred to.

8. You must check for leakage injectors after connection.

i Unless there is an abnormal condition, do not attempt to remove the gas burner taps. You must call an Authorised service agent or technician with licence if it is necessary to change the taps.

Reduced gas flow rate setting for hob taps

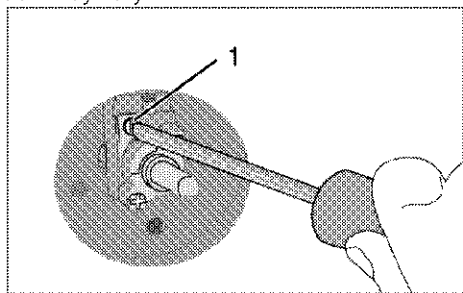
1. Ignite the burner that is to be adjusted and turn the knob to the reduced position.
2. Remove the knob from the gas tap.
3. Use an appropriately sized screwdriver to adjust the flow rate adjustment screw.

For LPG (Butane - Propane) turn the screw clockwise. For the natural gas, you should turn the screw **counter-clockwise** once.

» The normal length of a straight flame in the reduced position should be 6-7 mm.

4. If the flame is higher than the desired position, turn the screw clockwise. If it is smaller turn anticlockwise.
5. For the last control, bring the burner both to high-flame and reduced positions and check whether the flame is on or off.

Depending on the type of gas tap used in your appliance the adjustment screw position may vary.

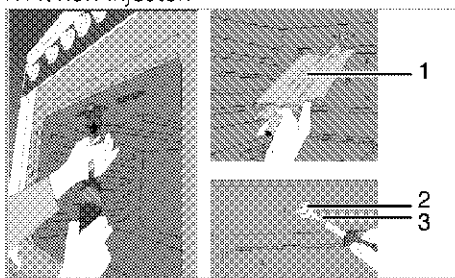


1 Flow rate adjustment screw

Exchange of injector for the grill

1. Turn all control knobs to off positions on the control panel.
2. Shut off the gas supply.
3. Open the front door.
4. Unscrew the screw of grill burner.
5. Slightly pull the grill burner (1) to lift it free with its link(s) on the rear side connected.
6. Unscrew injector by turning to counter-clockwise direction.

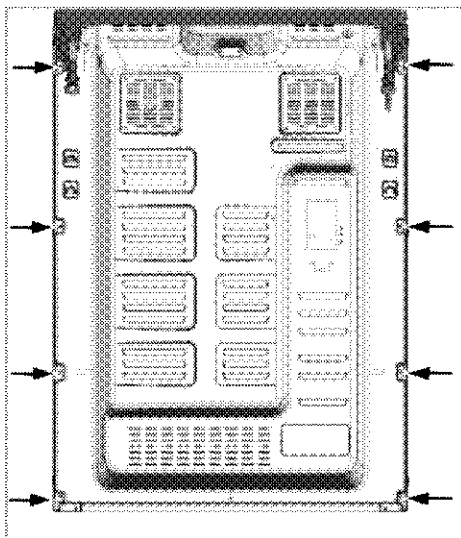
7. Fit new injector.



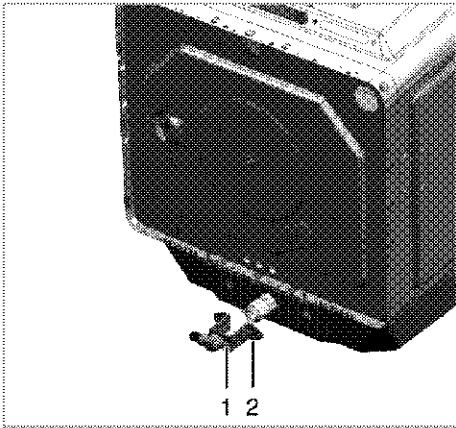
- 1 Grill burner
- 2 Injector holder
- 3 Injector

Exchange of injector for the oven

1. Turn all control knobs to off positions on the control panel.
2. Shut off the gas supply.
3. Unscrew fastening screws of the back wall.



4. Unscrew the 2 screws (2) of the injector holder (1).



1 Injector holder

2 Screw

5. Pull out the injector holder.

6. Unscrew injector by turning to counter-clockwise direction.

7. Fit new injector.

Reduced flow adjustment for the gas oven

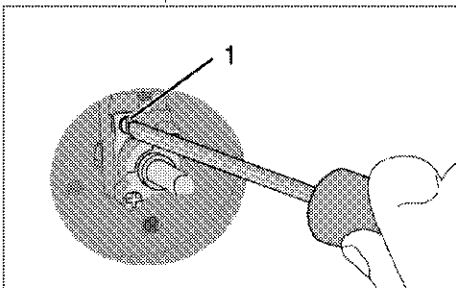
For the appropriate functioning of the oven re-checking the by-pass adjustment is extremely important. In order to provide maximum security to the user these operations have to be done with care.

1. Ignite the burner that is to be adjusted and turn the knob to the high flame position.

2. Close the oven door and wait for 10 to 15 minutes until the oven becomes ready for adjustment.

3. Take out the knob

4. After 15 minutes, adjust the oven to the lowest flame position.



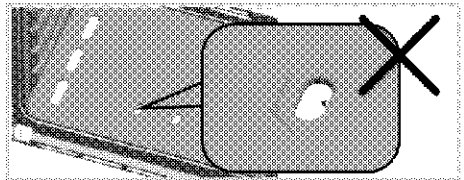
5. Set the flame length to 2 to 3 mm by means of the screw 1 on the oven tap.

Turning in clockwise direction reduces the flame, turning counter-clockwise increases the flame.

i If gas flow rate of oven cannot be set with removing knob, please remove the needed oven parts (control panel, burner plate etc.) and then set the gas flow rate of oven.

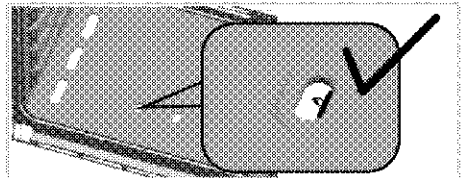
i If the temperature of the oven increases unintendedly, turn off the oven and call the authorised service agent or technician with licence to have oven thermostat repaired.

Set the flame to optimum length as shown in figure below by means of the screw 1 on the oven tap. Turning clockwise direction reduces the flame, turning counter-clockwise increases the flame.

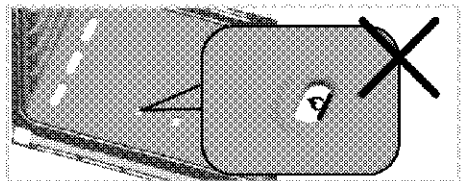


If the flame is too small,

* oven temperature can be too low, thus cooking performance can be affected adversely.



Ideal flame length provides the best performance.

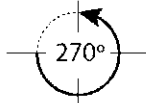


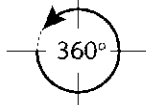
If the flame is too big,

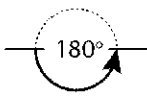
* oven temperature can be too high, thus cooking performance can be affected adversely.

i After making gas flame adjustment open and close the door repeatedly and make sure that oven flame does not go out.

i If the gas type of the unit is changed, then the rating plate that shows the gas type of the unit must also be changed.

Natural gas to Butane/propane (LPG)	Butane/propane (LPG) to Natural Gas (G20 10mbar/ G20 13 mbar)
Tighten the screw by turning it clockwise until the end.	Loosen the screw 270° (approximately)
	

Natural gas to Butane/propane (LPG)	Butane/propane (LPG) to Natural Gas (G2 350 13mbar Poland local gas)
Tighten the screw by turning it clockwise until the end.	Loosen the screw 360° (approximately)
	

Natural gas to Butane/propane (LPG)	Butane/propane (LPG) to Natural Gas (G20 20mbar/ G25 25 mbar / G25.3 25mbar)
Tighten the screw by turning it clockwise until the end.	Loosen the screw 180° (approximately)
	

i Reduced flow adjustment can vary depending on the product, burner and gas type. Make sure flame length is in accordance with the figure above.

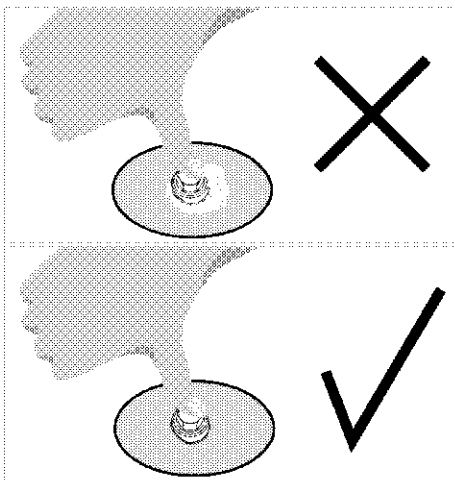
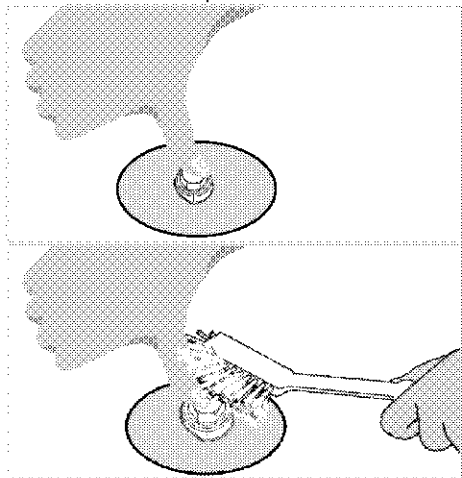
Leakage check at the injectors

Before carrying out the conversion on the product, ensure all control knobs are turned to off position. After the correct conversion of injectors, for each injectors should be gas leak checked.

1. Make sure that the gas supply to the product is on, still maintaining all control knobs turned to off position.
2. Each injector hole is blocked with a finger applying reasonable force to stop the gas leakage when corresponding control knob turned to on and it held at depressed position to allow gas reach the injector.
3. Apply prepared soapy water at the injector connection with a small brush, if there is leakage of gas at the injector connection the soapy water will begin to froth. In this case, tighten the injector with a reason-

able force and repeat step 3 process once again.

4. If the froth still persist you must turn off the gas apply to the product immediately and call an Authorised service agent or technician with licence. Do not use the product until the authorized service has intervened in the product.



4 Preparation

Tips for saving energy

The following information will help you to use your appliance in an ecological way, and to save energy:

- Use dark coloured or enamel coated cookware in the oven since the heat transmission will be better.
- While cooking your dishes, perform a preheating operation if it is advised in the user manual or cooking instructions.
- Do not open the door of the oven frequently during cooking.
- Try to cook more than one dish in the oven at the same time whenever possible. You can cook by placing two cooking vessels onto the wire shelf.
- Cook more than one dish one after another. The oven will already be hot.
- Defrost frozen dishes before cooking them.
- Use pots/pans with cover for cooking. If there is no cover, energy consumption may increase 4 times.
- Select the burner which is suitable for the bottom size of the pot to be used. Always select the correct pot size for your dishes. Larger pots require more energy.
- Information on energy efficiency according to EU 66/2014 can be found on the product fiche given with the product.

Initial use

First cleaning of the appliance

- i** The surface might get damaged by some detergents or cleaning materials.
- Do not use aggressive detergents, cleaning powders/creams or any sharp objects during cleaning.
- Do not use harsh abrasive cleaners or sharp metal scrapers to clean the oven door glass since they can scratch the surface, which may result in shattering of the glass.

1. Remove all packaging materials.
2. Wipe the surfaces of the appliance with a damp cloth or sponge and dry with a cloth.

Initial heating

Heat up the product for about 30 minutes and then switch it off. Thus, any production residues or layers will be burnt off and removed.



Hot surfaces cause burns!
Product may be hot when it is in use. Never touch the hot burners, inner sections of the oven, heaters and etc. Keep children away. Always use heat resistant oven gloves when putting in or removing dishes into/from the hot oven.

Gas oven

1. Take all baking trays and the wire grill out of the oven.
2. Close the oven door.
3. Select the highest flame of the gas oven; see *How to use the gas oven, page 32*.
4. Operate the oven about 30 minutes.
5. Turn off your oven; See *How to use the gas oven, page 32*

Grill oven

1. Take all baking trays and the wire grill out of the oven.
2. Close the oven door.
3. Select the grill; see *How to operate the gas grill, page 33*.
4. Operate the oven about 30 minutes.



Smoke and smell may emit for a couple of hours during the initial operation. This is quite normal. Ensure that the room is well ventilated to remove the smoke and smell. Avoid directly inhaling the smoke and the smell that emits.

5 How to use the hob

General information about cooking



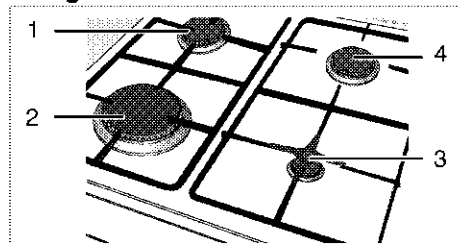
Never fill the pan with oil more than one third of it. Do not leave the hob unattended when heating oil. Overheated oils bring risk of fire. **Never attempt to extinguish a possible fire with water!** When oil catches fire, cover it with a fire blanket or damp cloth. Turn off the hob if it is safe to do so and call the fire department.

- Before frying foods, always dry them well and gently place into the hot oil. Ensure complete thawing of frozen foods before frying.
- Do not cover the vessel you use when heating oil.
- Place the pans and saucepans in a manner so that their handles are not over the hob to prevent heating of the handles. Do not place unbalanced and easily tilting vessels on the hob.
- Do not place empty vessels and saucepans on cooking zones that are switched on. They might get damaged.
- Operating a cooking zone without a vessel or saucepan on it will cause damage to the product. Turn off the cooking zones after the cooking is complete.
- As the surface of the product can be hot, do not put plastic and aluminum vessels on it. Such vessels should not be used to keep foods either.
- Use flat bottomed saucepans or vessels only.
- Put appropriate amount of food in saucepans and pans. Thus, you will not have to make any unnecessary cleaning by preventing the dishes from overflowing. Do not put covers of saucepans or pans on cooking zones. Place the saucepans in a manner so that they are centered on the cooking zone. When you want to move the saucepan onto another cooking zone, lift and place it onto the cooking zone you want instead of sliding it.

Gas cooking

- Size of the vessel and the flame must match each other. Adjust the gas flames so that they will not extend the bottom of the vessel and center the vessel on saucepan carrier.

Using the hobs



- 1 Normal burner 18-20 cm
- 2 Rapid burner 22-24 cm
- 3 Auxiliary burner 12-18 cm
- 4 Normal burner 18-20 cm is list of advised diameter of pots to be used on related burners.



Do not use cooking pans beyond the dimension limits given above. Using larger pans causes risk of carbon monoxide poisoning, overheating of adjacent surfaces and control knobs. Using smaller pans causes your risk of being burned by the flame.



Parts or components of your product may be damaged due to high heat during cooking with similar accessories used for making embers and not recommended in the manual. Damage caused by such use is the responsibility of the user.

Large flame symbol indicates the highest cooking power and small flame symbol indicates the lowest cooking power. In turned off position (top), gas is not supplied to the burners.

Igniting the gas burners



Gas burners are ignited with ignition buttons.

1. Keep burner knob pressed.
2. Turn it counter clockwise to large flame symbol.
3. Press and release the ignition button.
Repeat the procedure until the released gas is ignited.
4. Adjust it to the desired cooking power.

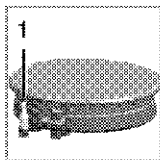
Turning off the gas burners

Turn the keep warm zone knob to off (upper) position.




In the event of the burner flames being accidentally extinguished, turn off the burner control and do not attempt to re-ignite the burner for at least 1 min.

Gas shut off safety system (in models with thermic component)



As a counter measure against blow out due to fluid overflows at burners, safety mechanism trips and shuts off the gas.

1. Gas shut off safety
 - Push the knob inwards and turn it counter clockwise to ignite.
 - After the gas ignites, keep the knob pressed for 3-5 seconds more to engage the safety system.
 - If the gas does not ignite after you press and release the knob, repeat the same procedure by keeping the knob pressed for 15 seconds.
-  Release the button if the burner is not ignited within 15 seconds. Wait at least 1 minute before trying again. There is the risk of gas accumulation and explosion!

6 How to operate the oven

General information on baking, roasting and grilling

! Hot surfaces cause burns!
Product may be hot when it is in use. Never touch the hot burners, inner sections of the oven, heaters and etc. Keep children away.
Always use heat resistant oven gloves when putting in or removing dishes into/from the hot oven.

! Be careful when opening the oven door as steam may escape.
Exiting steam can scald your hands, face and/or eyes.

Tips for baking

- Use non-sticky coated appropriate metal plates or aluminum vessels or heat-resistant silicone moulds.
- Make best use of the space on the rack.
- Place the baking mould in the middle of the shelf.
- Select the correct rack position before turning the oven or grill on. Do not change the rack position when the oven is hot.
- Keep the oven door closed.

Tips for roasting

- Treating whole chicken, turkey and large piece of meat with dressings such as lemon juice and black pepper before cooking will increase the cooking performance.
- It takes about 15 to 30 minutes longer to roast meat with bones when compared to roasting the same size of meat without bones.
- Each centimeter of meat thickness requires approximately 4 to 5 minutes of cooking time.
- Let meat rest in the oven for about 10 minutes after the cooking time is over. The juice is better distributed all over the roast and does not run out when the meat is cut.
- Fish should be placed on the middle or lower rack in a heat-resistant plate.

Tips for grilling

When meat, fish and poultry are grilled, they quickly get brown, have a nice crust and do not get dry. Flat pieces, meat skewers and sausages are particularly suited for grilling as are vegetables with high water content such as tomatoes and onions.

- Distribute the pieces to be grilled on the wire shelf or in the baking tray with wire shelf in such a way that the space covered does not exceed the size of the heater.
- Slide the wire shelf or baking tray with grill into the desired level in the oven. If you are grilling on the wire shelf, slide the baking tray to the lower rack to collect fats. The baking tray to be slid must be of a size that covers the whole grilling area. This tray might not be provided with the product. Add some water in the baking tray for easy cleaning.



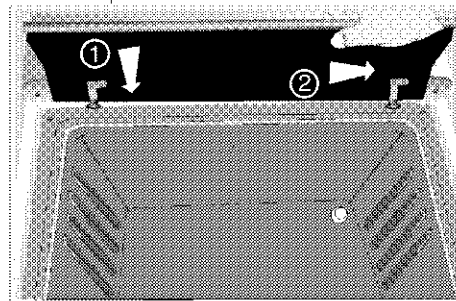
Foods that are not suitable for grilling carry the risk of fire. Only grill food which is suitable for intensive grilling heat.

Do not place the food too far in the back of the grill. This is the hottest area and fatty food may catch fire.

Install knob protection sheet.

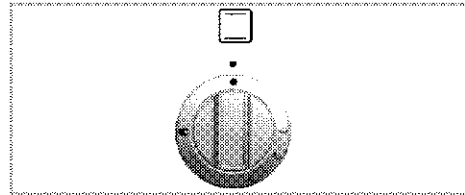
Knob protection sheet is used for grilling with the oven door open. Protects the control panel and buttons against heat and soiling.

1. Open the oven door and place the knob protection sheet onto the pins under the control panel.



» When knob protection sheet is installed, oven door remains open.

How to use the gas oven



The gas oven is operated by the gas oven control knob. In off position (top) the gas supply is Off.

Switch on the gas oven

The gas oven is ignited with the ignition button.

1. Open oven door.
2. Keep gas oven control knob pressed and turn it **counterclockwise**.
3. Press ignition button and release it again.
4. Keep the gas oven control knob pressed for 3 to 5 seconds.
» Repeat the process until the emanating gas is ignited.
5. Keep the gas oven control knob pressed for another 3 to 5 seconds. Be sure that gas has ignited and flame is present.
6. Select the desired baking power/ gas mark.
7. If there is no electricity, ignite the gas with the gas lighter from the ignition control hole.



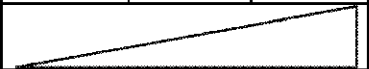
There is the risk of gas compression and explosion!

Do not attempt to ignite the gas more than 15 seconds. If the burner is not ignited within 15 seconds, turn off the knob and wait for 1 minute. Ventilate the room before reattempting to ignite the burner. There is the risk of gas compression and explosion!

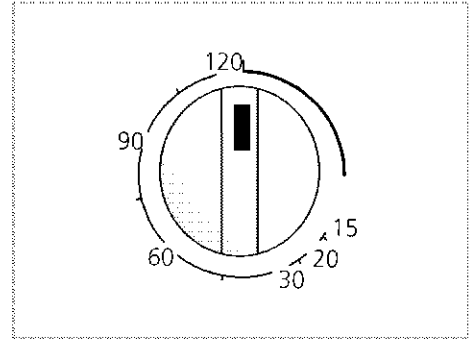
Switch off the gas oven

1. Turn gas oven control knob to off position (top).

Gas level temperature chart

Gas level	1	2	3
°C			

Using the clock as an alarm



The alarm clock has no influence on the functions of the oven. It is only used as a warning. For example, this is useful when you want to turn food in the oven at a certain point of time. Alarm clock will give a signal once the time you set is over.

Setting the alarm clock

1. Turn the Time Adjustment knob clockwise to determine for how long the alarm will sound.
2. The knob will turn counterclockwise at the end of the cooking time and the alarm will sound. Alarm clock does not turn off the oven.



Turn the Function knob counterclockwise to off position to turn off the oven.

Cooking times table



1st rack of the oven is the **bottom** rack.



Maximum load capacity of oven tray:
4 kg (8.8 lb).



The timings in this chart are meant as a guide. Timings may vary due to temperature of food, thickness, type and your own preference of cooking.

Stand dishes on a baking sheet to prevent spillages onto oven base and help keep

oven clean.

Baking and roasting

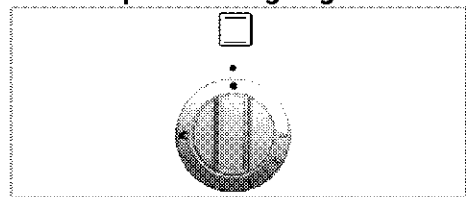
Food	Accessory to use	Preheating ^a	Insertion level	Control knob position	Cooking time
Apple pie	Round black metal dish with a diameter of 20 cm on wire grill ^{***}	10 min.	2	1	80...110 min.
Fruit tart	Round black metal dish with a diameter of 20 cm on wire grill ^{***}	10 min.	4	1	20...40 min.
Pie	Round black metal dish with a diameter of 20 cm on wire grill ^{***}	10 min.	4	1	20...40 min.
Cookies	Standard tray ^{**}	10 min.	4	1	25...35 min.
Leaven	Standard tray ^{**}	10 min.	4	1	40...60 min.
Cake	Cake mold on wire grill ^{***}	10 min.	3	1	75...85 min.
Biscuits	Standard tray ^{**}	10 min.	4	1	25...35 min.
Roast lamb	Standard tray ^{**}	10 min.	3	1	60...100 min. per 450 g + 30 min.
Roast Beef	Standard tray ^{**}	10 min.	3	1	80...120 min. per 450 g + 30 min.
Poultry	Standard tray ^{**}	10 min.	3	1	60...80 min. per 450 g + 25 min.
Casseroles	Standard tray ^{**}	10 min.	3	1	90...120 min.
Fish	Standard tray ^{**}	10 min.	4	1	35...45 min.
Macaroni	Standard tray ^{**}	10 min.	4	1	40...60 min.
Victoria sandwich	Standard tray ^{**}	10 min.	4	1	30...40 min.

* at control knob position 2 / ^b depending on quantity / ^c depending on size

** These accessories may not be supplied with the product.

*** These accessories are not supplied with the product. They are commercially available accessories.

How to operate the gas grill



Grill is operated with Grill control knob. In turned off position (top), gas is not supplied. Oven door must remain open while grilling.



Hot surfaces may cause burns! Keep children away from the product.

Oven door remains slightly inclined when opened full and thus, possible splashes do not reach you.

Switching on the grill

Gas grill is ignited with the ignition button.

1. Open the oven door.
2. Keep the knob pressed and turn it **clockwise** to the Grill symbol.
3. Press and release the ignition button.
» Repeat the procedure until the gas is ignited.
4. Keep the knob pressed for 3 to 5 seconds more.
5. Make sure that the grill is ignited.
6. If the electricity is cut-off, ignite the grill burner with a lighter or match.



There is the risk of gas compression and explosion!

Do not attempt to ignite the gas more than 15 seconds. If the burner is not ignited within 15 seconds, turn off the knob and wait for 1 minute. Ventilate the room before reattempting to ignite the burner. There is the risk of gas compression and explosion!

Switching off the grill

1. Turn the Grill control knob to Off (upper) position.



Foods that are not suitable for grilling carry the risk of fire. Only grill food which is suitable for intensive grilling heat.

Do not place the food too far in the back of the grill. This is the hottest area and fatty food may catch fire.

Cooking times table



The timings in this chart are meant as a guide. Timings may vary due to temperature of food, thickness, type and your own preference of cooking.



1st rack of the oven is the **bottom** rack.

Grilling with gas grill

Food	Preparation/setting	Grilling time *
Toasting of bread products	3...10 min.
Small cuts of meat, sausages, bacon, etc.	15...20 min.
Chops, gammon steaks, chicken pieces, etc.	Chicken with wire rack in upturned position.	20...25 min.
Whole fish, fish fillets, fish fingers	Whole fish and fish fillets placed in the base of the grill pan.	10...20 min.
Fish in breadcrumbs	15...20 min.
Pre-cooked potato products	15...20 min.
Pizza	Placed in the base of the grill pan.	12...15 min.
Grilling/browning of food	Dish placed directly on the base of the grill compartment.	8...10 min.

* depending on size resp. thickness

7 Maintenance and care

General information

Service life of the product will extend and the possibility of problems will decrease if the product is cleaned at regular intervals.

! Disconnect the product from mains supply before starting maintenance and cleaning works.
There is the risk of electric shock!

! Allow the product to cool down before you clean it.
Hot surfaces may cause burns!

- Clean the product thoroughly after each use. In this way it will be possible to remove cooking residues more easily, thus avoiding these from burning the next time the appliance is used.
- No special cleaning agents are required for cleaning the product. Use warm water with washing liquid, a soft cloth or sponge to clean the product and wipe it with a dry cloth.
- Always ensure any excess liquid is thoroughly wiped off after cleaning and any spillage is immediately wiped dry.
- Do not use cleaning agents that contain acid or chloride to clean the stainless or inox surfaces and the handle. Use a soft cloth with a liquid detergent (not abrasive) to wipe those parts clean, paying attention to sweep in one direction.
- **(This feature is optional. It may not exist on your product.)**
Do not use solid metal scrapers or abrasive cleaning materials to clean the glass cover. Glass surface can get damaged.

i The surface might get damaged by some detergents or cleaning materials.

Do not use aggressive detergents, cleaning powders/creams or any sharp objects during cleaning.
Do not use harsh abrasive cleaners or sharp metal scrapers to clean the oven door glass since they can scratch the surface, which may result in shattering of the glass.

i Do not use steam cleaners to clean the appliance as this may cause an electric shock.

Cleaning the hob

Cleaning the burner

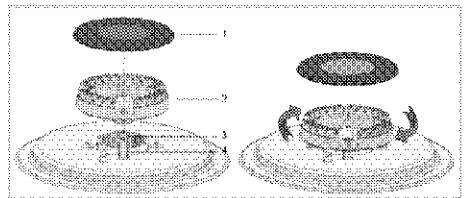
1. Remove the saucepan carriers from the hob.
2. Remove all removable parts of the burner and clean only by hand with sponge, some detergent and hot water.
3. Clean the non-removable parts of the burner with a wet cloth.
4. Clean the plug and thermal element (in models with ignition and thermal element) with a slightly moist cloth. Afterwards, dry with a clean cloth. Make sure that flame holes and plug are totally dry.

Otherwise, no spark occurs at the end of ignition.

5. When placing the pan supports, pay attention to place the pan supports so that the burners are centered.

Assembling the burner parts

After cleaning the burner, place the parts as shown below.



- 1 Burner cap
- 2 Burner head
- 3 Burner chamber
- 4 Spark plug (in products with igniter)

1. Place the burner head ensuring that it passes through the burner spark plug (4). Turn the burner head right and left to make sure that it is seated in the burner chamber.
2. Place the burner cap on the burner head.

Cleaning the control panel

Clean the control panel and knobs with a damp cloth and wipe them dry.

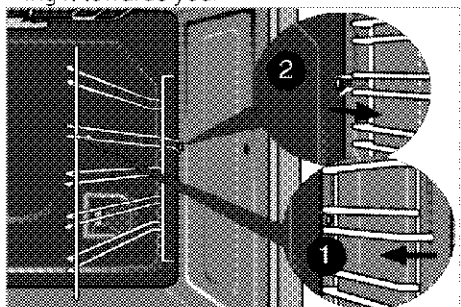
- i** If your product is equipped with buttons/knobs do not remove the control buttons/knobs to clean the control panel.
Control panel may get damaged!

Cleaning the oven

To clean the side wall (Varies depending on the product model.)

(This feature is optional. It may not exist on your product.)

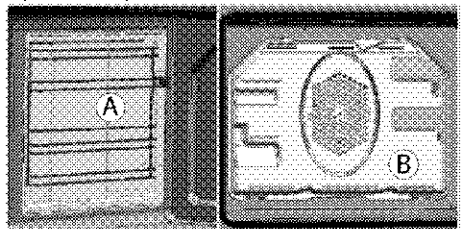
1. Remove the front section of the side rack by pulling it in the opposite direction of the side wall.
2. Remove the side rack completely by pulling it towards you.



Catalytic walls

(This feature is optional. It may not exist on your product.)

The inner side walls (A) and/or the rear wall (B) of your product may be coated with catalytic enamel. Catalytic walls have a light matte colour and a porous surface. Catalytic walls of the oven should not be cleaned. Thanks to their perforated structure, catalytic surfaces absorb grease and once the surface is filled with grease, they start to shine. In this case, it is recommended to replace the parts.



Clean oven door

To clean the oven door, use warm water with washing liquid, a soft cloth or sponge to clean the product and wipe it with a dry cloth.

Wipe the glass with vinegar and then rinse it against lime residues that may occur on the oven glass.

- i** Don't use any harsh abrasive cleaners or sharp metal scrapers for cleaning the oven door. They could scratch the surface and destroy the glass.

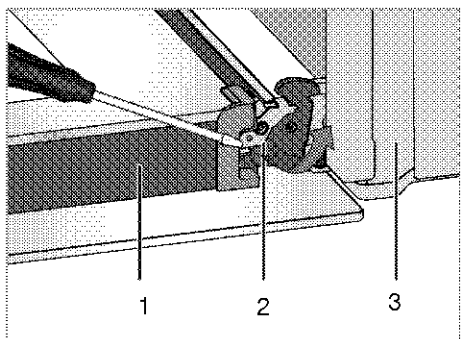
Cleaning the oven door

- i** Do not use harsh abrasive cleaners, metal scrapers, wire wool or bleach materials to clean the oven door and glass.

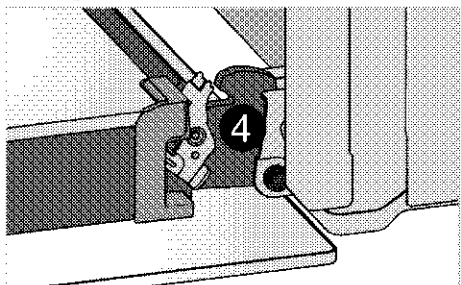
You can remove your oven door and door glasses to clean them. How to remove the doors and windows is explained in the sections "Removing the oven door" and "Removing the inner glasses of the door". After removing the door inner glasses, clean them using a dishwashing detergent, warm water and a soft cloth or sponge and dry them with a dry cloth. Wipe the glass with vinegar and then rinse it against lime residues that may occur on the oven glass.

Removing the oven door

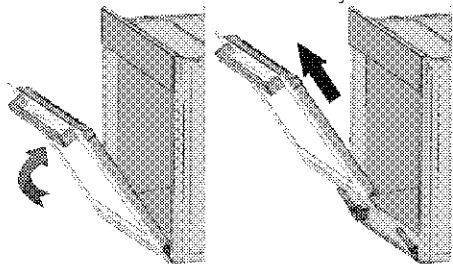
1. Open the front door (1).
2. Open the clips at the hinge housing (2) on the right and left hand sides of the front door by pressing them down as illustrated in the figure.



- 1 Door
- 2 Hinge lock(closed position)
- 3 Oven
- 4 Hinge lock(open position)



3. Move the front door to half-way.



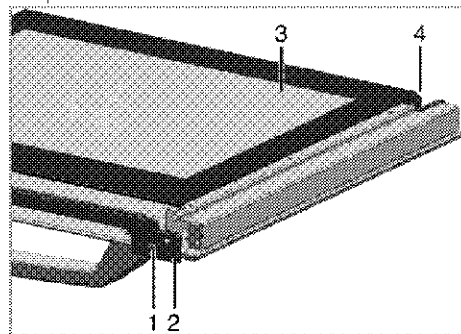
4. Remove the front door by pulling it up-wards to release it from the right and left hinges.

i Steps carried out during removing process should be performed in reverse order to install the door. Do not forget to close the clips at the hinge housing when reinstalling the door.

Removing the door inner glass
(This feature is optional. It may not exist on your product.)

The inner glass panel of the oven door can be removed for cleaning.

1. Open the oven door.



- 1 Screw
 - 2 Profile
 - 3 Inner glass pane
 - 4 Plastic slot
2. Take out the screw(1) with a screwdriver
3. Take out the profile (2) than hold up to inner glass (3).
4. Then group the door again, put the glass pane (3) to the plastic slots (4) and group the profile.

Replacing the oven lamp



Before replacing the oven lamp, make sure that the product is disconnected from mains and cooled down in order to avoid the risk of an electrical shock.
Hot surfaces may cause burns!



In this oven, an incandescent lamp with a power of less than 40 W, a height of less than 60 mm, a diameter of less than 30 mm or a halogen lamp with socket type G9, a power of less than 60 W is used. The lamps are suitable for operation at temperatures above 300 °C. Oven lamps can be obtained from Authorised Service Agents or technician with licence. This product contains a lamp of energy class G.



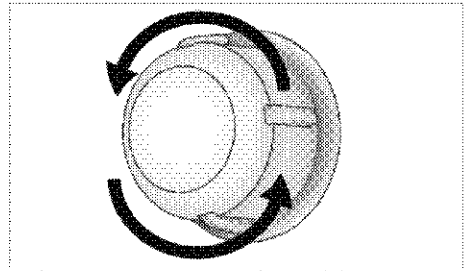
Position of lamp might vary from the figure.

i The lamp used in this appliance is not suitable for household room illumination. The intended purpose of this lamp is to assist the user to see foodstuffs.

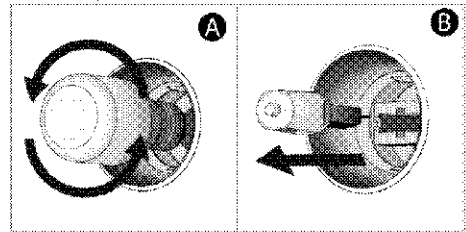
i The lamps used in this appliance have to withstand extreme physical conditions such as temperatures above 50 °C.

If your oven is equipped with a round lamp:

1. Disconnect the product from mains.
2. Turn the glass cover counter clockwise to remove it.



3. If your oven lamp is of type (A) shown in the figure below, remove it by rotating as shown and replace it. If it is of type (B), pull and remove it as shown in the figure and replace it.



4. Install the glass cover.

8 Troubleshooting

Oven emits steam when it is in use.

- It is normal that steam escapes during operation. >>> *This is not a fault.*

Product emits metal noises while heating and cooling.

- When the metal parts are heated, they may expand and cause noise. >>> *This is not a fault.*

There is no ignition spark.

- No current. >>> *Check fuses in the fuse box.*
- Time is not set. >>> *Set the time.*

There is no gas.

- Main gas valve is closed. >>> *Open gas valve.*
- Gas pipe is bent. >>> *Install gas pipe properly.*

Burners are not burning properly or at all.

- Burners are dirty. >>> *Clean burner components.*
- Burners are wet. >>> *Dry the burner components.*
- Burner cap is not mounted safely. >>> *Mount the burner cap properly.*
- Gas valve is closed. >>> *Open gas valve.*
- Gas cylinder is empty (when using LPG). >>> *Replace gas cylinder.*

(In models with timer) Clock display is blinking or clock symbol is on.

- A previous power outage has occurred. >>> *Adjust the time / Switch of the product and switch it on again.*



Consult the Authorised Service Agent or technician with licence or the dealer where you have purchased the product if you can not remedy the trouble although you have implemented the instructions in this section. Never attempt to repair a defective product yourself.

arctic

Cuptor

Manual de utilizare



RO



HĂRTIE RECICLATĂ ȘI
RECICLABILĂ

Vă rugăm să citiți mai întâi manualul de utilizare!

Stimate client,

Vă mulțumim pentru că ați ales un produs Arctic. Sperăm să obțineți cele mai bune rezultate de pe urma folosirii produsului nostru care a fost fabricat utilizând o calitate superioară și o tehnologie modernă. Prin urmare, vă rugăm să citiți cu atenție întregul manual de utilizare și documentele însoțitoare ale acestuia înainte de utilizarea produsului și să le păstrați pentru consultări ulterioare. În cazul în care predați produsul altcuiva, predați și manualul de utilizare. Respectați toate avertizările și informațiile din manualul de utilizare. Rețineți că manualul de utilizare se aplică și pentru alte modele. Diferențele dintre modele vor fi identificate în manual.

Explicația simbolurilor

În manualul de utilizare sunt utilizate următoarele simboluri:



Informații importante sau recomandări utile cu privire la utilizare.



Avertisment de situații periculoase cu privire la viață și proprietate.



Avertisment de șoc electric



Avertisment de risc de incendiu.



Avertisment de suprafețe fierbinți.



Arçelik A.Ş.
Karaağaç caddesi No:2-6
34445 Sütlüce/Istanbul/TURKEY
Made in TURKEY

1 Instrucțiuni importante și avertismente privind siguranța și mediul înconjurător 4

Siguranța generală.....	4
Siguranța la lucrul cu gazul.....	5
Siguranța instalațiilor electrice.....	6
Siguranța produsului.....	7
Domeniu de utilizare.....	10
Siguranța copiilor.....	10
Depozitarea la deșeuri a produsului vechi	10
Depozitarea la deșeuri a materialelor de ambalare.....	11
Transportul ulterior.....	11

2 Informații generale 12

Prezentare generală.....	12
Conținutul pachetului.....	13
Specificații tehnice.....	14
Tabelul injectoarelor.....	14

3 Instalare 16

Înainte de instalare.....	16
Instalarea și conectarea.....	18
Adaptarea la tipul de gaz folosit.....	23

4 Pregătiri 28

Sfaturi pentru economisirea energiei.....	28
Prima utilizare.....	28

Curățarea inițială a aparatului.....	28
Încălzirea inițială.....	28

5 Utilizarea plitei 29

Informații generale despre prepararea alimentelor.....	29
Utilizarea plitelor.....	29

6 Utilizarea cuptorului 31

Informații generale referitoare la coacere, fripturi și prepararea la grill.....	31
Utilizarea cuptorului cu gaz.....	32
Tabelul duratelor de preparare.....	33
Utilizarea grill-ului cu gaz.....	34
Tabelul duratelor de preparare.....	34

7 Întreținere și curățare 35

Informații generale.....	35
Curățarea plitei.....	35
Curățarea panoului de control.....	35
Curățarea cuptorului.....	36
Curățarea ușii cuptorului.....	36
Demontarea geamului interior al ușii.....	37
Înlocuirea lămpii cuptorului.....	37

8 Remedierea problemelor 39

I Instrucțiuni importante și avertismente privind siguranța și mediul înconjurător

Această secțiune conține informații cu privire la siguranța care vă vor ajuta să vă protejați împotriva riscului de vătămare corporală sau pagube materiale.

Nerespectarea acestor instrucțiuni va duce la anularea oricărei garanții.

Siguranța generală

- Acest produs poate fi utilizat de către copii cu vârsta peste 8 ani sau mai mari și persoane cu capacități fizice, senzoriale sau mentale reduse sau lipsă de experiență și cunoștințe, dacă sunt supravegheați sau instruiți cu privire la utilizarea produsului într-o manieră sigură și înțeleg pericolele implicate.

Acest produs nu este destinat pentru jocul copiilor. Curățarea și întreținerea nu vor fi efectuate de către copii fără supraveghere.

- Acest aparat nu este destinat utilizării de către persoane (inclusiv copii) cu capacități fizice, senzoriale sau mentale reduse, sau lipsă de experiență și cunoștințe

necesare, exceptând cazul în care sunt supravegheați sau instruiți.

Acest produs nu este destinat pentru jocul copiilor nesupravegheați.

- Dacă produsul este înmânat către altcineva pentru uz personal sau în scopuri de utilizare second-hand, manualul de utilizare, etichetele produsului, documente importante și componente trebuie de asemenea înmanate împreună cu acesta.
- A nu se amplasa produsul pe o pardoseală acoperită cu covor. În caz contrar, lipsa fluxului de aer sub produs va conduce la supraîncălzirea părților electrice. Acesta va cauza probleme produsului.
- Procedurile de instalare și reparații trebuie efectuate de către agenți de service autorizați. Producătorul nu este răspunzător pentru daunele rezultate din procedurile efectuate de către persoanele neautorizate care pot anula și garanția. Înainte de

instalare, citiți instrucțiunile cu atenție.

- Nu folosiți produsul dacă este defect sau prezintă defecte vizibile.
- După fiecare utilizare verificați dacă butoanele produsului sunt închise.

Siguranța la lucrul cu gazul

- Lucrările la echipamentele și rețelele de gaz pot fi efectuate numai de persoane calificate autorizate.
- Înainte de instalare, asigurați-vă că aparatul este reglat pentru parametrii rețelei locale de gaz (tipul și presiunea gazului).
- Acest aparat nu este conectat la un sistem de evacuare a gazelor arse. Aparatul trebuie instalat și conectat conform reglementărilor în vigoare. Se va acorda o atenție deosebită reglementărilor în vigoare privind ventilația; vezi *Înainte de instalare, pagina 16*
- **ATENȚIE:** Utilizarea unei mașini de gătit cu gaz produce căldură, umiditate și gaze de combustie în încăperea în care este instalată. Asigurați-vă că bucătăria este bine ventilată în special când folosiți aparatul: mențineți orificiile

de ventilație naturală deschise, sau instalați un dispozitiv de ventilație mecanică (hotă). Utilizarea prelungită și intensivă a aparatului poate necesita ventilație suplimentară, de exemplu prin sporirea turației ventilatorului hotei.

- Echipamentele și rețelele de gaz trebuie verificate periodic pentru a asigura funcționarea corectă a acestora. Regulatorul, furtunul și colierul acestuia trebuie verificate periodic și înlocuite la perioadele recomandate de producătorul acestora sau când este necesar.
- Curățați regulat arzătoarele. Flacăra trebuie să fie albastră și uniformă.
- Acest produs trebuie utilizat într-o încăpere care include un senzor de monoxid de carbon bine reglat și funcțional. Asigurați-vă că senzorul de monoxid de carbon funcționează corect și că este menținut frecvent. Senzorul de monoxid de carbon trebuie instalat la maximum 2 metri distanță de produs.
- Aparatele cu gaz necesită o combustie corectă. În cazul

unei combustii incomplete, este posibil să se genereze monoxid de carbon (CO). Monoxidul de carbon este un gaz incolor, inodor și foarte toxic, ce poate produce moartea chiar și în doze foarte mici.

- Solicitați de la compania distribuitoare de gaze informații cu privire la numerele de urgență și măsurile de siguranță ce trebuie luate la detectarea mirosului de gaz.
- Condițiile și valorile pentru reglarea gazului a acestui produs sunt furnizate pe eticheta de rating/tip.

Măsurile de luat la detectarea mirosului de gaz

- Nu folosiți flăcări deschise și nu fumați. Nu acționați butoane electrice (de ex. întrerupătoarele becurilor, soneria etc). Nu folosiți telefoane fixe sau mobile. Pericol de explozie și intoxicație!
- Închideți toate robinetele aparatelor cu gaz și gazometrelor.
- Deschideți ușile și ferestrele.
- Verificați strângerea tuturor tuburilor și conexiunilor. Dacă simțiți în continuare

miros de gaz, părăsiți locuința.

- Avertizați vecinii.
- Chemati pompierii. Folosiți un telefon din afara locuinței.
- Nu reveniți în casă decât după ce vi se confirmă că nu există pericole.

Siguranța instalațiilor electrice

- Dacă produsul are o defecțiune, nu trebuie folosit decât după ce este reparat de către un agent de service autorizat. Pericol de electrocutare!
- Conectați produsul numai la o priză/linie împământată cu tensiunea și protecția indicată în "Specificații tehnice". Împământarea trebuie efectuată de un electrician calificat la folosirea produsului cu sau fără transformator. Compania noastră nu își asumă răspunderea pentru daunele survenite în urma împământării neconforme cu normele locale.
- Nu spălați niciodată produsul turnând apă pe acesta! Pericol de electrocutare!
- Nu atingeți niciodată ștecherul cu mâinile ude! Nu trageți de cablu pentru a-l

scoate din priză, ci apucați de ștecher.

- Produsul trebuie scos din priză în timpul instalării, întreținerii, curățării și reparațiilor.
- În cazul deteriorării cablului de alimentare, acesta trebuie înlocuit de producător, de agentul său de service sau de o persoană cu calificări similare pentru a evita pericolele.
- Aparatul trebuie instalat astfel încât să permită deconectarea totală de la rețeaua electrică. Separarea trebuie să se realizeze fie printr-un ștecher, fie printr-un comutator încorporat în instalația electrică fixă, conform normelor de construcții.
- Suprafața din spatele cuptorului se înfierbântă în timpul utilizării. Asigurați-vă că racordurile de gaz / electricitate nu ating suprafața din spate; în caz contrar, racordurile se pot deteriora.
- Nu striviți cablul de alimentare între ușa cuptorului și ramă; nu îl trasați peste suprafețele fierbiniți. În caz contrar, izolația cablului se poate topi,

putând provoca scurtcircuite și incendii.

- Lucrările la echipamentele și rețelele electrice pot fi efectuate numai de persoane calificate autorizate.
- În cazul unei defecțiuni, opriți produsul și deconectați-l de la rețeaua de electricitate. Decuplați siguranța de la panoul electric.
- Asigurați-vă că siguranța are capacitatea adecvată pentru acest produs.

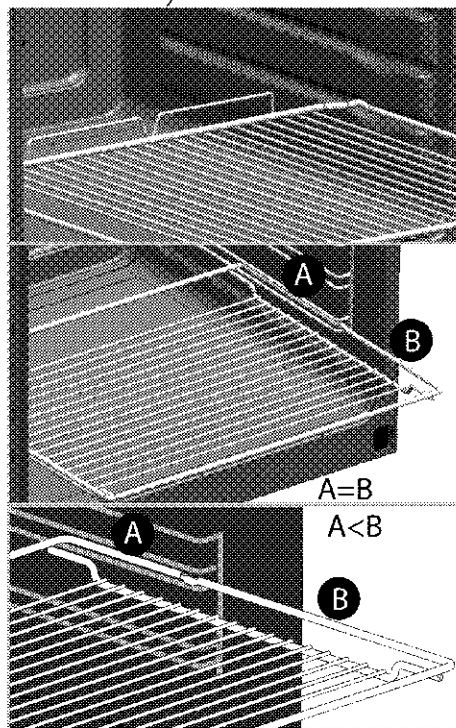
Siguranța produsului

- **AVERTISMENT:** Aparatul și piesele sale accesibile pot deveni fierbinți în timpul folosirii. Evitați atingerea elementelor fierbinți. Copiii mai mici de 8 ani trebuie ținuti la distanță sau supravegheați continuu.
- Nu folosiți produsul când logica sau coordonarea vă sunt afectate de alcool și / sau medicamente.
- Aveți grijă când preparați rețete care includ băuturi alcoolice. Alcoolul se evaporă la temperaturi mari și poate provoca incendii deoarece se va aprinde în contact cu suprafețele fierbinți.

- Nu lăsați materiale inflamabile lângă produs, deoarece părțile laterale ale acestuia se pot încălzi în timpul utilizării.
- În timpul folosirii, aparatul se înfierbântă. Evitați atingerea elementelor de încălzire din interiorul cuptorului.
- Asigurați-vă că orificiile de ventilare nu sunt înfundate.
- Nu încălziți cutii și borcane închise în cuptor. Presiunea acumulată în cutie/borcan poate provoca explozia acestuia.
- Nu amplasați tăvi de gătit, recipiente sau folie din aluminiu direct pe partea inferioară a cuptorului. Căldura acumulată poate deteriora partea inferioară a cuptorului.
- Nu folosiți substanțe de curățare abrazive sau raclete metalice ascuțite pentru a curăța geamul ușii cuptorului, deoarece acestea pot să zgârie suprafața și pot să ducă la spargerea geamului.
- Nu folosiți sisteme cu aburi pentru a curăța acest aparat, deoarece există pericol de șoc electric.
- (Variază în funcție de model.)

Amplasarea corectă a grilajului și tăvii pe șinele metalice

Este importantă amplasarea corectă pe șine a grilajului și / sau a tăvii. Culisați grilajul sau tava între cele 2 șine și asigurați-vă că este stabilă înainte de amplasarea alimentelor (consultați figura următoare).



- Nu folosiți produsul dacă geamul ușii este demontat sau crăpat.
- Mânerul cuptorului nu este un uscător de prosoape. Nu agățați prosoape, mănuși sau produse textile similare

când folosiți funcția grill cu ușa deschisă.

- Folosiți mănuși de cuptor termoizolatoare când introduceți sau scoateți alimente în/din cuptorul fierbinte.
 - Plasați hârtia de copt în interiorul vasului de gătit sau pe accesoriile cuptorului (tavă, grătar etc) împreună cu alimentele și apoi introduceți-le în cuptorul preîncălzit. Eliminați bucățile hârtiei de copt în exces pentru prevenirea riscul de atingere a elementelor de încălzire ale cuptorului. Nu utilizați niciodată hârtia de copt la o temperatură de utilizare mai ridicată decât valoarea indicată pe aceasta. Nu plasați hârtia de copt direct pe baza cuptorului.
 - **AVERTISMENT:** Asigurați-vă că este decuplat cablul de alimentare al aparatului sau că întreruptorul este oprit înainte de a înlocui lampa, pentru a evita pericolul de șoc electric.
 - Închideți capacul numai după ce plitele sau arzătoarele s-au răcit. Capacul trebuie să fie uscat înainte de deschidere, pentru a evita scurgerea apei în spatele cuptorului sau în interiorul acestuia.
 - Aparatul nu trebuie instalat în spatele unei uși decorative pentru a evita supraîncălzirea.
 - Produsul trebuie amplasat direct pe podea. Nu trebuie amplasat pe un soclu sau pedestal.
 - **AVERTISMENT:** Prepararea nesupravegheată pe plită a alimentelor cu ulei sau grăsime poate fi periculoasă și poate provoca incendii. Nu încercați NICIODATĂ să stingeți un incendiu cu apă, ci opriți aparatul, apoi acoperiți flacăra cu un capac sau cu o pătură contra incendiului.
 - **ATENȚIE:** Procesul de gătit trebuie supravegheat. Un proces de gătit de scurtă durată trebuie supravegheat tot timpul.
 - **AVERTISMENT:** Pericol de incendiu: Nu depozitați obiecte pe suprafețele de gătit.
- Pentru a preveni incendiile;
- Asigurați-vă că ștecherul este conectat corect la priză pentru a nu face scânteii.
 - Nu folosiți cabluri deteriorate, tăiate sau prelungitoare; folosiți cablul original.

- Asigurați-vă că ștecherul nu este umed sau ud.
- Asigurați-vă că racordul la gaz este montat corect și nu există scurgeri.

Domeniu de utilizare

- Acest produs este destinat uzului casnic. Se interzice utilizarea comercială.
- **ATENȚIE:** Acest aparat este destinat numai gătitului alimentelor. Nu trebuie folosit pentru alte scopuri, de exemplu pentru încălzirea încăperilor.
- Nu folosiți acest produs pentru încălzirea farfuriilor sub grill, pentru uscarea ștergarelor și cârpelor de vase etc. pe mâner sau pentru încălzirea încăperilor.
- Producătorul nu este responsabil pentru pagubele provocate de utilizarea sau manipularea incorectă.
- Cuptorul poate fi folosit pentru dezghețarea, coacerea, prăjirea și prepararea la grill a alimentelor.

Siguranța copiilor

- **AVERTISMENT:** Componentele accesibile se pot înfierbânta în timpul folosirii. Nu lăsați copiii să se apropie de aparat.

- Ambalajele pot fi periculoase pentru copii. Nu lăsați ambalajele la îndemâna copiilor. Depozitați la deșeuri toate ambalajele conform standardelor de mediu.
- Produsele electrice și/sau pe gaz sunt periculoase pentru copii. Nu lăsați copiii să se apropie de produs în timp ce funcționează și nu îi lăsați să se joace cu acesta.
- Aveți la dispoziție un sistem suplimentar de protecție împotriva atingerii ușii cuptorului. Această piesă trebuie montată când în apropierea cuptorului se află copii mici.
- Nu amplasați pe aparat obiecte pe care copiii ar fi tentați să le apuce.
- Nu amplasați obiecte grele pe ușa deschisă și nu permiteți copiilor să se așeze pe aceasta. Pericol de răsturnare a cuptorului sau de deteriorare a balamalelor.

Depozitarea la deșeuri a produsului vechi

Conformitate cu Directiva WEEE și depozitarea la deșeuri a produsului uzat:



Acest produs respectă Directiva UE WEEE (2012/19/UE). Produsul este marcat cu un

simbol de clasificare pentru deșeuri electrice și electronice (WEEE).

Acest produs a fost fabricat folosind piese și materiale de înaltă calitate, care pot fi refolosite și reciclate. Nu depozitați produsul uzat împreună cu gunoiul menajer la sfârșitul duratei sale de funcționare. Duceți-l la un centru de colectare pentru reciclarea echipamentelor electrice și electronice. Luați legătura cu autoritățile locale pentru a afla informații despre aceste centre de colectare.

Conformitate cu Directiva RoHS:

Produsul pe care l-ați achiziționat respectă Directiva UE RoHS (2011/65/UE). Nu conține materiale dăunătoare și interzise specificate în Directivă.

Depozitarea la deșeuri a materialelor de ambalare

- Materialele de ambalare sunt periculoase pentru copii. Păstrați materialele de ambalare într-un loc sigur, la care copiii nu au acces. Materialele de ambalare ale produsului sunt fabricate din materiale reciclabile. Sortați-le și depozitați-le la

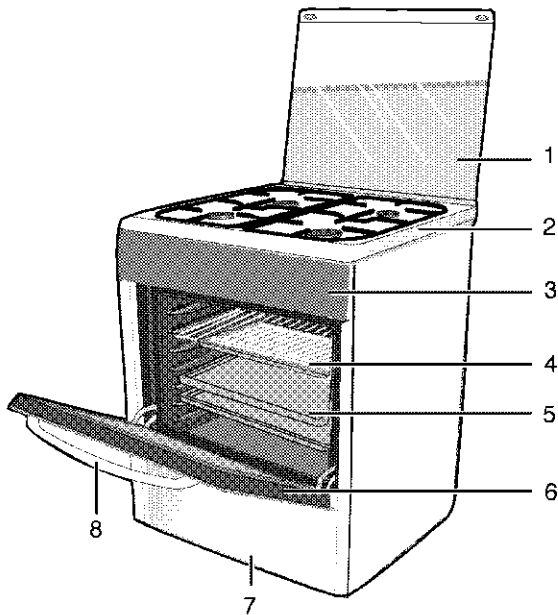
deșeuri în mod corect. Nu le depozitați împreună cu gunoiul menajer.

Transportul ulterior

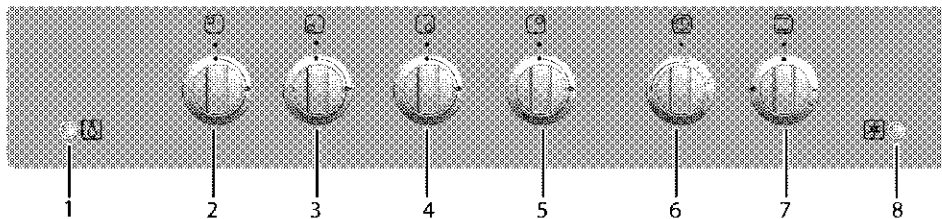
- Păstrați cutia originală a produsului și transportați-l în aceasta. Respectați instrucțiunile de pe cutie. Dacă nu aveți cutia originală, ambalați produsul în folie cu bule sau în carton gros și lipiți-l cu bandă adezivă.
 - Pentru a preveni deteriorarea ușii cuptorului de către grilajul și tava din interior, așezați o fâșie de carton în interiorul ușii cuptorului, în dreptul tăvilor. Lipiți cu bandă adezivă ușa cuptorului de peretii laterali.
 - Asigurați capacele arzătoarelor și suporturile pentru recipiente cu bandă adezivă.
 - Nu apucați de ușă sau de mâner pentru a ridica sau muta produsul.
- i** Nu amplasați obiecte pe produs; mutați-l în poziție verticală.
- i** Verificați aspectul general al produsului pentru a determina dacă nu a fost deteriorat în timpul transportului.

2 Informații generale

Prezentare generală



- | | | | |
|---|------------------|---|------------------|
| 1 | Capac superior | 5 | Tavă |
| 2 | Placă arzător | 6 | Ușă frontală |
| 3 | Panou de comandă | 7 | Piesă inferioară |
| 4 | Grilaj | 8 | Mâner |



- | | |
|---|-------------------------------|
| 1 | Buton lampă și rotisor |
| 2 | Arzător normal Stânga spate |
| 3 | Arzător rapid Stânga față |
| 4 | Arzător auxiliar Dreapta față |
| 5 | Arzător normal Dreapta spate |
| 6 | Cronometru mecanic |
| 7 | Buton cuptor |
| 8 | Buton aprindere |

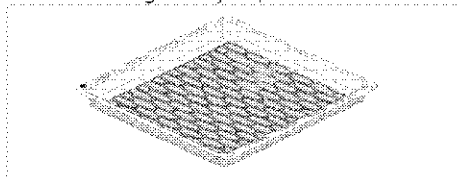
Conținutul pachetului

i Accesoriile furnizate pot varia în funcție de modelul produsului. Este posibil ca unele accesorii descrise în manualul de utilizare să nu fie furnizate cu produsul dvs.

1. Manual de utilizare

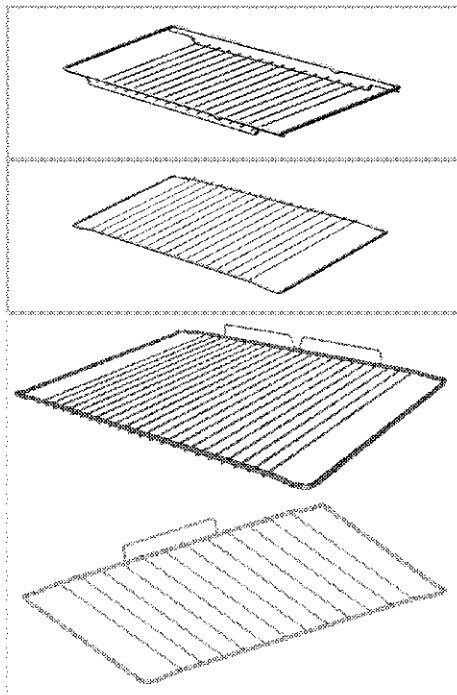
2. Tavă standard

Folosită pentru produse de patiserie, alimente congelate și fripturi mari.



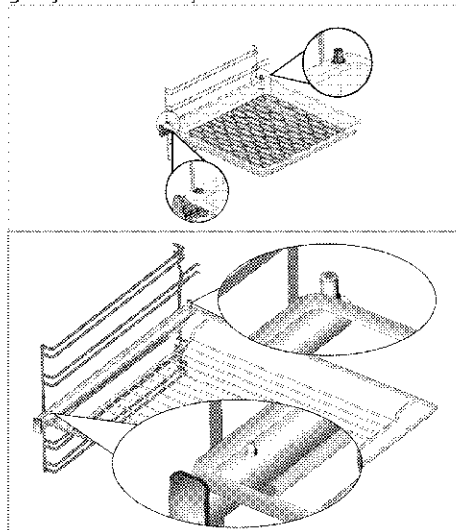
3. Grilaj metalic

Folosit pentru fripturi și pentru amplasarea pe șina dorită a alimentelor care vor fi coapte, fripte sau gătite în caserole.



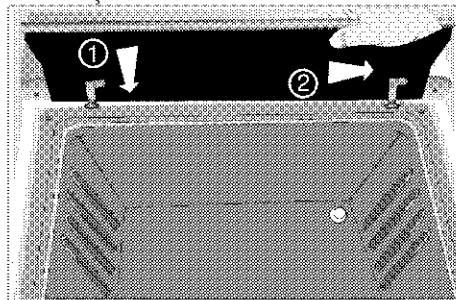
4. Amplasarea corectă a grilajului și tăvii pe șinele telescopice (Această caracteristică este opțională. Este posibil ca aceasta să nu existe la produsul dvs.)

Șinele telescopice simplifică introducerea și scoaterea tăvilor și grilajului metalic. Când folosiți tava și grilajul metalic împreună cu șinele telescopice, asigurați-vă că lamelele din zona din spate a șinei telescopice sunt lipite de marginile grilajului metalic și tăvii.



5. Folie de protecție a butoanelor

Folosită pentru prepararea la grill cu ușa cuptorului deschisă. Acesta protejează panoul de control și butoanele împotriva căldurii și reziduurilor.



Specificații tehnice

GENERAL	
Dimensiuni exterioare (înălțime/lățime/adâncime)	850 mm/500 mm/600 mm
Tensiune/frecvență	220-240 V ~ 50 Hz
Tip cablu / secțiune	min.H05VV-FG 3 x 0,75 mm ²
Categorie produs gaz	Cat II 2H3B/P
Tipul de gaz instalat / presiunea produsului	G 20/20 mbar
Consum total de gaz	10,4 kW (756 g/h)
Conversie tip/presiune gaz ⁵ opțional	G 30/28-30 mbar
PLITĂ	
Arzătoare	
Stânga spate	Arzător normal
Putere	2 kW (145 g/h)
Stânga față	Arzător rapid
Putere	2,9 kW (211 g/h)
Dreapta față	Arzător auxiliar
Putere	1 kW (73 g/h)
Dreapta spate	Arzător normal
Putere	2 kW(145 g/h)
CUPTOR/GRILL	
Cuptor principal	Cuptor cu gaz
Lampă interioară	15 25 W
Consum energie grill	2,5 kW (182 g/h)
Consum gaz cuptor	2,5 kW (182 g/h)

i Specificațiile tehnice se pot modifica fără preaviz în scopul îmbunătățirii calității produsului.

i Ilustrațiile din acest manual au doar rol explicativ, fiind posibil să nu fie identice cu produsul dv.

i Valorile declarate pe etichetele produsului sau în documentația însoțitoare sunt obținute în condiții de laborator, conform standardelor în vigoare. Aceste valori pot varia în funcție de condițiile de utilizare și de mediu.

Tabелul injectoarelor

Poziție zonă plită	2 kW (145 g/h) Stânga spate	2,9 kW (211 g/h) Stânga față	1 kW (73 g/h) Dreapta față	2 kW(145 g/h) Dreapta spate
Tip gaz / Presiune gaz				
G 20/20 mbar	103	115	72	103
G 30/28-30 mbar	72	87	50	72
Tip gaz / Presiune gaz	Cuptor cu gaz		GRILL	
G 20/20 mbar	116		115	
G 30/28-30 mbar	77		73	

Puteți procura duzele care nu sunt furnizate cu produsul dumneavoastră, prin intermediul rețelei autorizate de service.

ară categorii/tipuri/presiune de gaze

Tipul de gaz, presiunea și categoria de gaz care pot fi utilizate pentru ara în care va fi instalat produsul, pute i găsi în tabelul de mai jos.

CODURI DE ARA	CATEGORIE		TIPUL ȘI PRESIUNEA GAZULUI			
FR	Cat II	2E+3+	G20,20 mbar	G25,25 mbar	G30,28 30 mbar	G31,37 mbar
BE	Cat II	2E+3+	G20,20 mbar	G25,25 mbar	G30,28 30 mbar	G31,37 mbar
RU	Cat II	2H3B/P	G20,20 mbar	G30,30 mbar	G20,13 mbar	G20,10 mbar
CZ	Cat II	2H3+	G20,20 mbar	G30,28 30 mbar	G31,37 mbar	
NL	Cat II	2E(43.46 - 45.3 MJ/m ³ (0°C))3B/P	G25.3,25 mbar	G20,20 mbar	G30,30 mbar	
	Cat II	2L3B/P	G25,25 mbar	G20,20 mbar	G30,30 mbar	
GB	Cat II	2H3+	G20,20 mbar	G30,28 30 mbar	G31,37 mbar	
IE	Cat II	2H3+	G20,20 mbar	G30,28 30 mbar	G31,37 mbar	
ES	Cat II	2H3+	G20,20 mbar	G30,28 30 mbar	G31,37 mbar	
PT	Cat II	2H3+	G20,20 mbar	G30,28 30 mbar	G31,37 mbar	
CH	Cat II	2H3+	G20,20 mbar	G30,28 30 mbar	G31,37 mbar	
IT	Cat II	2H3+	G20,20 mbar	G30,28 30 mbar	G31,37 mbar	
SK	Cat II	2H3+	G20,20 mbar	G30,28 30 mbar	G31,37 mbar	
CY	Cat II	2H3+	G20,20 mbar	G30,28 30 mbar	G31,37 mbar	
SI	Cat II	2H3+	G20,20 mbar	G30,28 30 mbar	G31,37 mbar	
GR	Cat II	2H3+	G20,20 mbar	G30,28 30 mbar	G31,37 mbar	
PL	Cat II	2ELS3B/P	G20,20 mbar	G2 350,13 mbar	G30,37 mbar	
	Cat II	2E3P(B/P)	G20,20 mbar	G30,37 mbar		
DE	Cat II	2E3B/P	G20,20 mbar	G30,50 mbar		
AT	Cat II	2H3B/P	G20,20 mbar	G30,50 mbar		
SE	Cat II	2H3B/P	G20,20 mbar	G30,30 mbar		
LT	Cat II	2H3B/P	G20,20 mbar	G30,30 mbar		
NO	Cat II	2H3B/P	G20,20 mbar	G30,30 mbar		
RO	Cat II	2H3B/P	G20,20 mbar	G30,30 mbar		
DK	Cat II	2H3B/P	G20,20 mbar	G30,30 mbar		
EE	Cat II	2H3B/P	G20,20 mbar	G30,30 mbar		
MA	Cat II	2H3B/P	G20,20 mbar	G30,30 mbar		
FI	Cat II	2H3B/P	G20,20 mbar	G30,30 mbar		
HR	Cat II	2H3B/P	G20,20 mbar	G30,30 mbar		
TR	Cat II	2H3B/P	G20,20 mbar	G30,30 mbar		
MT	Cat I	3B/P	G30,30 mbar			
IS	Cat I	2H	G20,20 mbar			
LV	Cat I	2H	G20,20 mbar			
LU	Cat I	2E	G20,20 mbar			
BG	Cat I	2H	G20,20 mbar			
	Cat I	3B/P	G30,30 mbar			
HU	Cat I	2H	G20,25 mbar			
	Cat I	3B/P	G30,30 mbar			

3 Instalare

Produsul trebuie instalat de o persoană calificată, conform reglementărilor în vigoare. În caz contrar, garanția va fi anulată. Producătorul nu își asumă răspunderea pentru daunele produse în urma efectuării procedurilor de către persoane neautorizate și poate anula garanția.

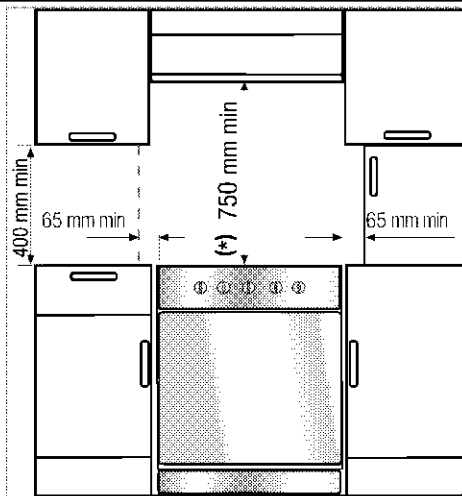
i Pregătirea instalațiilor electrice și de gaz în vederea instalării produsului constituie responsabilitatea clientului.

! Produsul trebuie instalat în conformitate cu toate reglementările locale privind instalațiile de gaz și / sau electricitate.

! Înainte de instalare, verificați vizual dacă produsul nu este deteriorat. Dacă este deteriorat, nu îl instalați. Produsele deteriorate sunt periculoase.

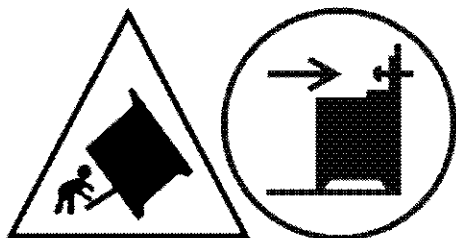
Înainte de instalare

Pentru a asigura circulația aerului prin orificiile de ventilare de sub aparat, recomandăm instalarea aparatului pe o suprafață dură, astfel încât picioarele să nu se afunde în covor sau în alte suprafețe moi. Podeaua bucătăriei trebuie să poată susține greutatea aparatului, a recipientelor și a alimentelor.



- Acest produs este un dispozitiv de clasa 1 conform standardului EN 30-1-1, putând fi amplasat cu spatele și o latură lipite de peretea bucătăriei, mobilier de bucătărie sau echipamente de orice dimensiune. Mobilierul de bucătărie sau echipamentul de pe cealaltă latură nu poate fi mai mare decât aparatul.
- Puteți amplasa corpuri de mobilă pe ambele părți ale aparatului, cu condiția menținerii unei distanțe de 400mm față de obiectele de deasupra și de 65mm față de obiectele din lateral.
- Aparatul poate fi instalat și fără obiecte de mobilier în jur. Lăsați o distanță de minim 750 mm deasupra suprafeței plitei.
- (*) Dacă urmează să montați o hotă deasupra mașinii de gătit, citiți instrucțiunile producătorului hotei cu privire la înălțimea de montare. Dacă nu este definită nicio dimensiune în manualul hotei, această înălțime ar trebui să fie de cel puțin 650 mm.
- Mobilierul de bucătărie de lângă aparat trebuie să fie rezistent la căldură (min. 100 °C).

⚠️ Avertizare - Risc de răsturnare!



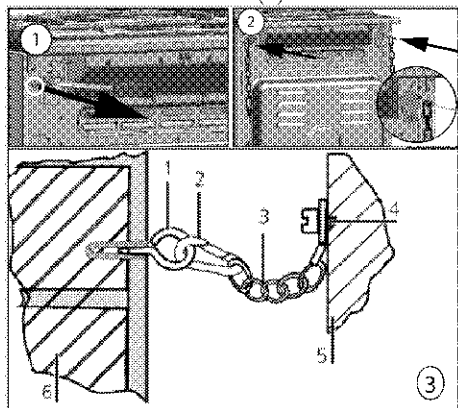
Avertizare: Pentru a preveni răsturnarea aparatului, acest mijloc de stabilizare trebuie să fie instalat. Consultați instrucțiunile de instalare.

Lanț de siguranță

Dacă produsul dumneavoastră are două lanțuri de siguranță;

Aparatul trebuie asigurat împotriva răsturnării, folosind cele două lanțuri furnizate cu cuptorul.

Cuplați cârligul (1) la peretele bucătăriei (6) folosind un diblu adecvat și conectați lanțul de siguranță (3) la cârlig prin intermediul mecanismului de fixare (2).

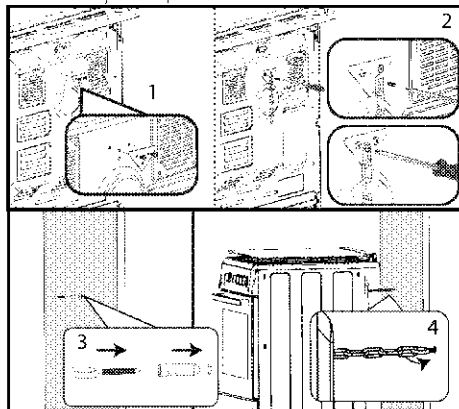


- 1 Cârlig de stabilizare
- 2 Mecanism de fixare
- 3 Lanț de siguranță
- 4 Fixați lanțul pe partea din spate a mașinii de gătit
- 5 Partea din spate a mașinii de gătit
- 6 Peretele bucătăriei

Dacă produsul dumneavoastră are un lanț de siguranță;

Aparatul trebuie protejat împotriva răsturnării, folosind lanțul furnizat cu cuptorul.

Urmați pașii din imaginea de mai jos pentru a fixa lanțul de produsul dumneavoastră.



i Lanțul de stabilizare trebuie să fie cât mai scurt pentru a evita înclinarea cuptorului în față și amplasat oblic pentru a evita înclinarea cuptorului în lateral.

Lanțul de stabilizare pentru mașinile de gătit nu are o fantă de fixare în suport.

Aerisirea camerei

Toate încăperile trebuie să aibă o fereastră care se poate deschide, sau echivalentul, iar în unele încăperi poate fi necesară și o aerisire deschisă permanent. Aerul din încăpere este folosit pentru alimentarea arderii, iar gazele rezultate în urma arderii sunt emise direct în încăpere. Ventilarea adecvată este esențială pentru utilizarea în siguranță a aparatului.

Încăperile cu uși și/sau ferestre cu deschidere directă în afara clădirii

Ușile sau ferestrele cu deschidere directă în afara clădirii trebuie să aibă o deschidere totală pentru aerisire conform dimensiunilor specificate în tabelul de mai jos, bazate pe puterea totală a gazului din aparat (consumul total de gaz al aparatului este indicat în tabelul de specificații tehnice al prezentului manual al utilizatorului). Dacă ușile și/sau ferestrele nu au o deschidere totală pentru aerisire corespunzătoare

consumului total de gaz al aparatului conform specificațiilor din tabelul de mai jos, atunci în încăpere trebuie să existe un orificiu suplimentar fix, în scop de aerisire, pentru a asigura respectarea cerințelor privind ventilația minimă totală în cazul consumului total de gaz al aparatului. Printre orificiile fixe de ventilare se pot număra orificiile pentru cărămizile de ventilație existente, dimensiunea orificiului instalației hotărî de aerisire etc.

Consum total de gaz (kW)	Orificiu de ventilație min. (cm ²)
0-2	100
2-3	120
3-4	175
4-6	300
6-8	400
8-10	500
10-11.5	600
11.5-13	700
13-15.5	800
15.5-17	900
17-19	1000
19-24	1250

Încăperile fără uși și/sau ferestre cu deschidere directă în afara clădirii

Dacă încăperea în care este instalat aparatul nu are o ușă sau o fereastră care se deschide direct către mediul exterior, trebuie instalate alte produse care furnizează clar un orificiu fix, neajustabil și deschis în permanență astfel încât să fie respectate cerințele minime totale privind orificiul de ventilație pentru consumul total de gaz al aparatului, după cum se indică mai sus. De asemenea, trebuie respectate normativele corespunzătoare privind construcțiile. Dacă încăperea sau spațiul interior conține mai mult de un aparat cu gaz, atunci trebuie să existe zonă suplimentară de ventilație în plus față de cerința prevăzută în tabelul anterior. Dimensiunea zonei suplimentare de ventilație trebuie să fie corespunzătoare normativelor aplicabile celorlalte aparate cu gaz.

Trebuie să existe un spațiu minim de 10 mm la partea inferioară a ușii _ care se deschide

către interior _ în încăperea în care este instalat produsul. Trebuie să vă asigurați că nu există articole cum ar fi covoarele și alte acoperiri de pardoseală etc. care să afecteze acest spațiu la închiderea ușii.

There should also be a minimum clearance of 10mm on the bottom edge of the door that opens to the inner environment in the room where the appliance is installed. You must ensure that items such as carpets and other floorcoverings etc., do not affect the clearance when the door is closed.

Mașina de gătit poate fi instalată într-o bucătărie, bucătărie-sufragerie sau într-un dormitor-sufragerie, însă nu poate fi instalată într-o încăpere în care se află o cadă sau un duș. Mașina de gătit nu trebuie instalată într-un dormitor-sufragerie mai mic de 20m³.

Nu instalați acest aparat într-o încăpere subterană, cu excepția cazului în care are cel puțin un perete cu deschidere deasupra nivelului solului.

Instalarea și conectarea

Produsul trebuie instalat și racordat conform regulilor de instalare în vigoare.

i Nu instalați produsul lângă frigider sau congelatoare. Căldura emisă de produs va spori consumul de energie al aparatelor de răcire.


- Produsul trebuie transportat de cel puțin două persoane.
- Produsul trebuie amplasat direct pe podea. Nu trebuie amplasat pe un soclu sau piedestal.


i Nu apucați de ușă și/sau de mâner pentru a ridica sau muta produsul. Ușa, mânerul sau balamalele se pot defecta.

Racordul electric


Conectați produsul la o priză cu împământare protejată de o siguranță de capacitate adecvată, conform datelor din tabelul "Specificații tehnice". Împământarea trebuie efectuată de un electrician calificat, în momentul folosirii produsului cu sau fără transformator. Compania noastră nu își asumă răspunderea pentru daunele


survenite în urma folosirii produsului fără o instalație de împământare în conformitate cu normele locale.


 Produsul trebuie conectat la rețeaua electrică numai de o persoană calificată și autorizată. Perioada de garanție a produsului începe numai după instalarea corectă. Producătorul nu își asumă răspunderea pentru daunele produse în urma efectuării procedurilor de către persoane neautorizate.

 Cablul de alimentare nu trebuie presat, îndoit, strivit sau atins de piesele fierbinți ale produsului. În cazul în care cablul de alimentare este deteriorat, trebuie înlocuit de un electrician calificat. În caz contrar, există pericol de șoc electric, scurtcircuit sau incendiu!

Parametrii rețelei electrice trebuie să corespundă parametrilor specificați pe eticheta cu tipul produsului. Plăcuța de identificare poate fi văzută după deschiderea capacului inferior sau este amplasată pe peretele posterior al aparatului, în funcție de tipul acestuia. Cablul de alimentare al produsului trebuie să respecte valorile din tabelul "Specificații tehnice".

 Ștecherul cablului de alimentare trebuie să fie ușor accesibil după instalare (nu îl trasați deasupra plitei).

 În timpul cablării, respectați normele naționale/locale cu privire la electricitate și folosiți priză și cablu adecvate pentru cuptor. În cazul în care limitele de putere ale produsului depășesc capacitatea de transport a curentului prizei/liniei de alimentare, produsul trebuie conectat direct printr-o instalație electrică fixă, fără utilizarea unei prize/linii de alimentare cu curent.

 Înainte de a efectua lucrări la instalația electrică, deconectați produsul de la priză.
Pericol de electrocutare!

Introduceți cablul de alimentare în priză.

Racord gaz

 **Avertizări generale**

- Risc de explozie, incendiu și toxiinfecție în cazul în care instalarea, repararea sau racordul se face de către o persoană sau un tehnician neautorizat/nelicențiat/necalificat.
- Înainte de a amplasa produsul, asigurați-vă de respectarea condițiilor locale de distribuție (tip și presiune a gazului) și dacă reglajul de gaz al produsului respectă aceste condiții. Condițiile de reglare a gazelor și valorile produsului se găsesc pe etichete (sau pe eticheta de tip).
- În cazul în care codul țării dvs. nu se află pe etichetă, urmați instrucțiunile tehnice locale din țara dvs. pentru racordul și transformarea instalației de gaz.
- Produsul poate fi racordat la sistemul de alimentare cu gaz numai de către o persoană sau un tehnician autorizat/licențiat/calificat.
- Producătorul nu este răspunzător pentru daunele care decurg din procedurile efectuate de persoane sau tehnicieni neautorizați/nelicențiați/necalificați.
- Înainte de a începe orice lucrare la instalația de gaz, deconectați alimentarea cu gaz. Risc de explozie!
- **În cazul în care trebuie să utilizați ulterior produsul cu un alt tip de gaz, trebuie să consultați persoana sau tehnicianul autorizat/licențiat/calificat cu privire la procedura de conversie aferentă.**
- Asigurați-vă că se verifică bine etanșeitatea racordului de gaz după fiecare utilizare. Producătorul nu poate fi tras la răspundere pentru daunele care pot apărea din cauza scurgerilor de gaz care pot apărea ca urmare a racordării la gaz sau a conversiei efectuate de persoane neautorizate/nelicențiate.



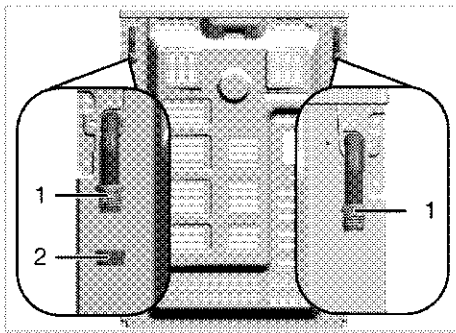
Risc de incendiu:

Dacă nu efectuați racordarea în conformitate cu instrucțiunile de mai jos, există riscul de scurgere de gaz și de incendiu. **Compania noastră nu poate fi trasă la răspundere pentru daunele care rezultă din această situație.**

- Racordarea la gaz trebuie efectuată numai de către o persoană sau un tehnician autorizat/licențiat/calificat.
- Asigurați-vă că furtunul de gaz care urmează să fie utilizat la racordarea la gaz este conform cu standardele locale privind gazul.
- Furtunul flexibil de gaz trebuie conectat astfel încât să nu intre în contact cu piesele mobile și suprafețele fierbinți (prezentate în figurile de mai jos) din jurul său și să nu fie prins atunci când piesele mobile se deplasează. (de ex. sertare) În plus, acesta nu trebuie plasat în spații în care ar putea fi turtit.
- Nu deplasați produsul a cărui racordare la gaz este completă. Dacă produsul este mutat, poate exista riscul de scurgeri de gaz.
- Furtunul de gaz trebuie racordat prin efectuarea de viraje cu unghiuri largi împotriva posibilității de rupere și pliere în timpul racordării.
- Furtunul de gaz nu trebuie să fie turtit, pliat, ciupit, atins de coluri ascuțite sau să intre în contact cu părțile fierbinți ale produsului și cu vasele de gătit de pe produs. Risc de explozie în urma deteriorării furtunului de gaz!
- Furtunul de gaz nu trebuie să intre în contact cu piese care pot atinge o temperatură de 70°C peste temperatura camerei.
- Pentru conectarea și transformarea instalației de gaz trebuie să se utilizeze o cheie.

Alegerea părții de racordare la gaz
Dacă produsul este prevăzut cu două ieșiri pentru gaz; direcția de racordare poate fi modificată în funcție de direcția sursei de gaz.

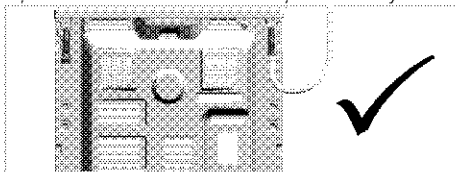
- Una din cele două ieșiri este sigilată cu dop de blindare. Capătul celeilalte ieșiri este deschis.



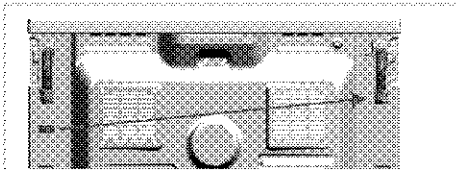
- 1 Ieșirea pentru furtunul de gaz
- 2 Cep

(Ieșirea la care este atașat dopul de blindare poate varia în funcție de modelul produsului.)

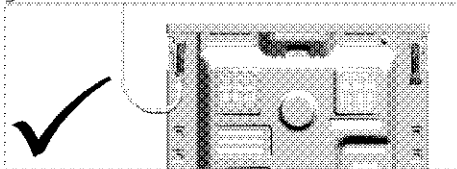
- Înainte de racordarea la gaz, asigurați-vă că alimentarea cu gaz și ieșirea furtunului de gaz a produsului care urmează să fie racordat la gaz se află pe aceeași parte.
- Dacă alimentarea cu gaz și ieșirea furtunului de gaz cu capăt deschis se află pe aceeași parte, efectuați racordul de gaz așa cum se arată în ilustrația de mai jos.



- Dacă alimentarea cu gaz și ieșirea sigilată cu dop de blindare a furtunului de gaz sunt pe aceeași parte, îndepărtați dopul de blindare de pe ieșirea furtunului de gaz folosind două chei. Închideți ieșirea furtunului de gaz cu acest dop de blindare, ieșirea la care nu va fi realizată racordarea la gaz și sigilați împreună cu o garnitură nouă (nefolosită).
- Trebuie să vă asigurați că garnitura de etanșare este poziționată corect în poziție.

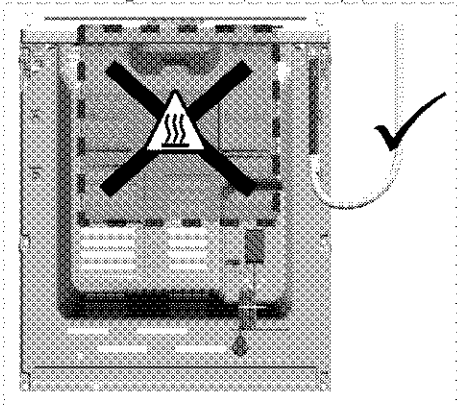


- Realizați racordarea la gaz așa cum este prezentat în imaginea de mai jos la ieșirea furtunului de gaz de lângă alimentarea cu gaz.

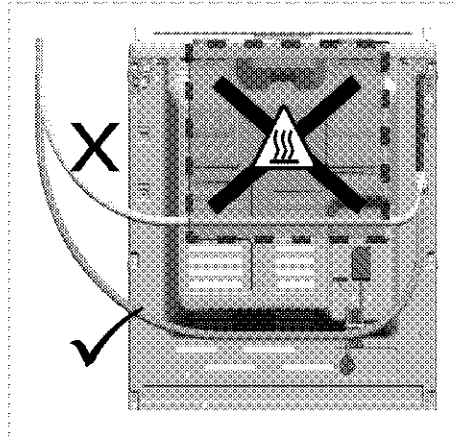


Dacă produsul este prevăzut cu o ieșire unică pentru gaz;

- Înainte de racordarea la gaz, asigurați-vă că alimentarea cu gaz și ieșirea furtunului de gaz a produsului care urmează să fie racordat la gaz se află pe aceeași parte.




- Dacă ieșirea furtunului de gaz și alimentarea principală cu gaz nu sunt orientate pe aceeași parte, asigurați-vă că furtunul nu trece prin zona fierbinte atunci când îl conectați.



Piese pentru racordarea gazului

Elementele vizuale ale pieselor și instrumentelor, care pot fi necesare pentru racordarea la gaz, sunt prezentate mai jos. În funcție de model, este posibil ca aceste piese să nu fie livrate împreună cu produsul. Piesele de conectare a instalației de gaz care trebuie utilizate pot varia în funcție de tipul de gaz și de reglementările ării respective.

	Garnitură de etanșare a scurgerilor
<td>Racord pentru gaz natural (G20, G25) EN 10226 R1/2"</td>	Racord pentru gaz natural (G20, G25) EN 10226 R1/2"
	Racord pentru gaz lichid (G30, G31)
	Racord ieșire gaz
	Dop

Efectuarea racordului de gaz - GN

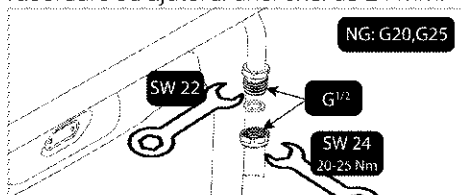
- Instalația de gaz natural trebuie să fie pregătită în mod corespunzător pentru

montaj înainte de a instala produsul. La ieșirea din instalația de gaze naturale trebuie să existe o supapă de gaz natural care să fie conectată la produs.

- Asigurați-vă că supapa de gaz natural este ușor accesibilă.
- Conectați produsul la sistemul de gaze naturale din locuința dvs. cu un furtun de gaz flexibil care respectă standardele locale.
- La realizarea racordului de gaz trebuie utilizată o nouă garnitură de etanșare.
- Alimentarea cu gaz trebuie să fie racordată prin intermediul unei conducte de gaz sau al unui furtun de gaz de siguranță cu fittinguri filetate la ambele capete.
- Racordarea se poate face în două moduri diferite:
 - Racord de tip EN ISO 228 G1/2".
 - Racord de tip ISO 10226 R1/2".

Racord de tip EN ISO 228 G1/2".

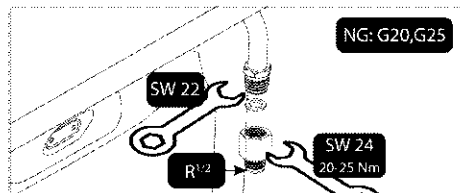
1. Așezați noua garnitură în piesa de racordare și asigurați-vă că garnitura este așezată corect.
2. Fixați piesa de racordare a gazului la aparat cu ajutorul unei chei de 22 mm și plasați piesa de racordare în piesa de racordare cu ajutorul unei chei de 24 mm.



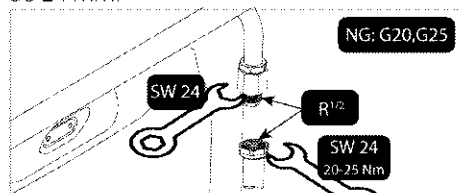
3. Trebuie să verificați dacă există scurgeri ale piesei de racordare după racordare.

Racord de tip ISO 10226 R1/2".

1. Așezați noua garnitură în piesa de racordare pentru gaz natural și asigurați-vă că garnitura este așezată corect.
2. În timp ce este fixată ieșirea de racordare la gaz a produsului cu o cheie de 22, conectați piesa de interconectare la ieșirea de gaz a produsului cu o cheie de 24 și strângeți bine.



3. Înfășurați un compus de etanșare în jurul părții filetate a piesei de interconectare. Conectați partea filetată a furtunului/tubului de gaz de siguranță la elementul de interconectare cu cheia de 24 mm și strângeți-o bine, menținând elementul de interconectare fixat cu cheia de 24 mm.



4. Trebuie să verificați dacă există scurgeri ale piesei de racordare după racordare.

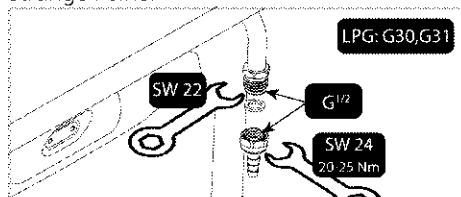
Efectuarea racordului de gaz - GPL

- Produsul trebuie să fie racordat în așa fel încât să fie aproape de racordul de gaz pentru a preveni scurgerile de gaz.
- Înainte de a face racordul la gaz, puneți la dispoziție un furtun de gaz din plastic și o clemă de montare adecvată. Diametrul interior al furtunului de gaz din plastic trebuie să fie de 10 mm, iar lungimea nu trebuie să fie mai mare de 150 cm. Furtunul de plastic trebuie să fie etanș și ușor de inspectat.
- Aparatele și sistemele pe bază de gaz trebuie să fie verificate în mod regulat pentru buna funcționare. Regulatorul, furtunul și clema acestuia trebuie verificate periodic și înlocuite în perioadele recomandate de producător sau atunci când este necesar.
- La realizarea racordului de gaz trebuie utilizată o nouă garnitură de etanșare.
- Racordarea la gaz trebuie să se facă printr-un furtun de gaz sau printr-o racordare fixă.

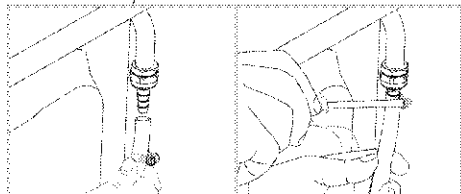
Racordare cu un furtun de gaz

1. Așezați noua garnitură în piesa de racordare pentru gaz lichid și asigurați-vă că garnitura este așezată corect.

2. Fixați ieșirea de racord pentru gaz a produsului cu o cheie de 22 mm, conectați piesa de conectare la ieșirea de gaz a produsului cu o cheie de 24 mm și strângeți bine.



3. Montați clema de montare la un capăt al furtunului de gaz. Înmuiați capătul furtunului de gaz la care ați atașat clema de fixare punându-l în apă clocotită timp de un minut.
4. Introduceți furtunul de gaz înmuiați până la capăt în piesa de racordare. Strângeți bine clema cu o șurubelniță.



5. Trebuie să verificați dacă există scurgeri ale piesei de racordare după racordare.

Verificarea scurgerilor la punctul de racordare

- Asigurați-vă că toate butoanele de pe produs sunt închise. Asigurați-vă că alimentarea cu gaz este pornită. Pregătiți spumă de săpun și aplicați-o pe punctul de racordare al furtunului pentru controlul scurgerilor de gaz.
- Partea săpunită va face spumă dacă există o scurgere de gaz. În acest caz, verificați încă o dată racordul de gaz.
- **Dacă produsul dvs. are două ieșiri pentru furtunul de gaz**, asigurați-vă că ieșirea nefolosită pentru gaz este etanșată cu un cep. Pregătiți spumă de săpun și aplicați-o pe punctul de conectare al cepului pentru a verifica scurgerile de gaz. Dacă există scurgeri, săpunul va forma bule. În acest caz, verificați din nou conexiunea cu cepul.
- În loc de săpun, puteți utiliza spray-uri disponibile în comerț pentru verificarea scurgerilor de gaz.

- Dacă există o scurgere de gaz, închideți alimentarea cu gaz și ventilați încăperea.

i Nu folosiți chibrituri sau brichete pentru a verifica scurgerile de gaze.

- Împingeți produsul spre peretele bucătăriei.
- **Reglarea picioarelor cuptorului**
Vibrațiile pot provoca deplasarea recipientelor de gătit. Acest pericol poate fi evitat prin echilibrarea produsului în plan orizontal.
Pentru siguranța proprie, asigurați-vă că produsul este echilibrat rotind cele patru picioare și aliniind produsul cu suprafața mobilierului.

Verificarea finală

1. Deschideți alimentarea cu gaz.
2. Verificați fixarea și strângerea corectă a instalației de gaz.
3. Aprindeți arzătoarele și verificați aspectul flăcării.

i Flacăra trebuie să fie albastră și să aibă o formă regulată. Dacă flacăra este gălbuie, verificați așezarea corectă a capacului arzătorului sau curățați arzătorul.

Adaptarea la tipul de gaz folosit



Avertizări generale

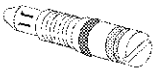

- Înainte de a începe orice lucrare la instalația de gaz, deconectați alimentarea cu gaz. Risc de explozie!
- Toate injectoarele de gaz trebuie înlocuite, iar reglarea pentru ardere a robinetelor de gaz trebuie făcută în poziția de repaus pentru ca produsul să poată fi utilizat cu un alt gaz.
- După schimbarea tipului de gaz, noua etichetă cu tipul de gaz de pe punga de rezervă trebuie aplicată pe eticheta aflată deja pe peretele posterior al produsului.
- Tipul de gaz convertibil și categoriile de gaz ale produsului în funcție de ară sunt indicate în secțiunea "Categorii/tipuri/presiuni de gaz ale țării". Verificați în acest tabel tipurile de gaze pe care le puteți utiliza în zona dumneavoastră. Nu puteți face conversia

la tipuri de gaze nespecificate în acest tabel.

- Este posibil ca injectorul de rezervă corespunzător tipului de gaz pe care doriți să îl utilizați să nu fie furnizat împreună cu produsul. Puteți procura injectoarele de la service-ul autorizat sau de la magazinul de unde ați cumpărat produsul.
- Valorile injectoarelor și tipurile de gaze care trebuie utilizate pentru arzătoare sunt prezentate la sfârșitul secțiunii. Efectuați conexiunea tipului de gaz care urmează să fie convertit așa cum este descris în secțiunea de conectare a gazului.

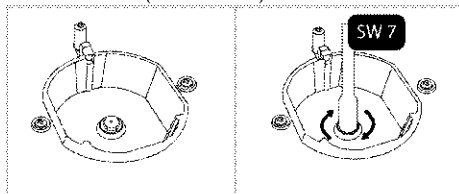
Piese pentru schimbarea instalației de gaz

Piese și unelte care pot fi necesare pentru transformarea instalației de gaz sunt prezentate mai jos. În funcție de model, este posibil ca aceste piese să nu fie livrate împreună cu produsul.

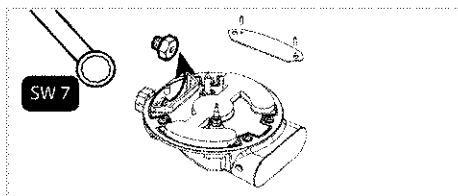
	Duză de deviere
	Injector arzător

Schimbarea injectorului pentru arzătoare

1. Răsuciți toate butoanele de control în poziția oprit de pe panoul de control.
2. Întrerupeți alimentarea cu gaz.
3. Scoateți capacul și corpul arzătorului.
4. Îndepărtați injectoarele de gaz prin răsucirea în sens invers acelor de ceasornic. (cheie nr. 7)



5. Dacă produsul are o cameră de ardere wok cu un injector cu intrare laterală, scoateți injectorul cu o cheie numărul 7.



- i** ((Variază în funcție de model.)) La unele arzătoare de plită, injectorul este acoperit cu o piesă metalică. Acest capac metalic trebuie să fie îndepărtat pentru a înlocui injectorul.

6. Instalați noile injectoare de gaz. (Cuplu de strângere 4 Nm)
7. Verificați toate racordurile pentru a vă asigura că sunt instalate în siguranță și fixate bine.

- i** Injectoarele noi au poziția marcată pe ambalaj sau pe tabelul injectoarelor, *Tabelul injectoarelor, pagina 14* care se poate face referire.

8. Trebuie să verificați dacă injectoarele prezintă scurgeri după racordare.

- i** Cu excepția unor situații speciale, nu încercați să demontați robinetele arzătoarelor. Schimbarea robinetelor poate fi efectuată numai de personal de service autorizat.

Reglaj debit gaz redus pentru robinetele plitei

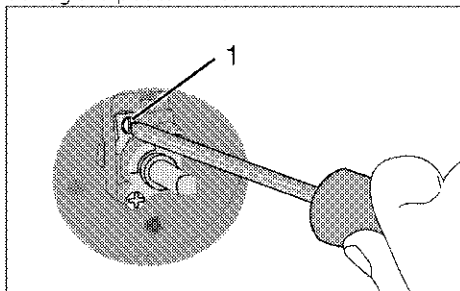
1. Aprindeți arzătorul care trebuie reglat și rotiți butonul la putere minimă.
2. Demontați butonul de pe robinet.
3. Folosiți o șurubelniță de dimensiuni adecvate pentru a acționa șurubul de reglare a debitului.

În cazul GPL (butan - propan) rotiți șurubul în sensul acelor de ceasornic. În cazul gazului natural, rotiți o singură dată șurubul **în sens contrar acelor de ceasornic.**

» Înălțimea normală a unei flăcări drepte în poziția flăcări mică trebuie să fie de 6-7 mm.

4. Dacă flacăra este mai înaltă, rotiți șurubul în sensul acelor de ceasornic. Dacă este mai mică, rotiți în sens invers acelor de ceasornic.

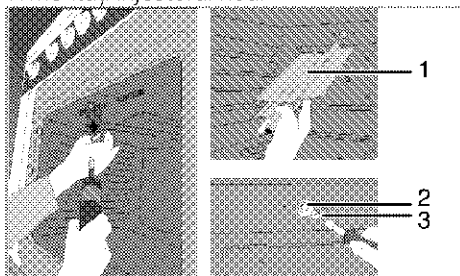
5. Ca verificare finală, rotiți robinetul în poziția flacără mare și flacără mică și verificați dacă flacăra nu se stinge. În funcție de tipul robinetului de gaz al aparatului dumneavoastră, poziția șurubului de reglare poate varia.



1 Șurub de reglare a debitului

Schimbarea injectorului grill-ului

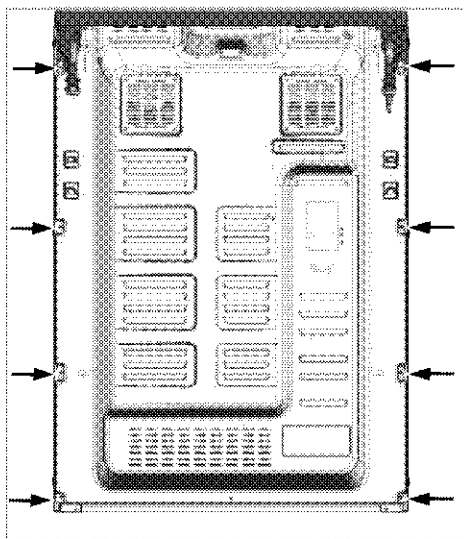
1. Răsuciți toate butoanele de control în poziția oprit de pe panoul de control.
2. Întrerupeți alimentarea cu gaz.
3. Deschideți ușa din față.
4. Deșurubați șurubul arzătorului grill-ului.
5. Trageți ușor arzătorul grill-ului (1) pentru a-l desprinde de conexiunile din spate.
6. Deșurubați injectorul rotindu-l în sens invers acelor de ceasornic.
7. Montați injectorul nou.



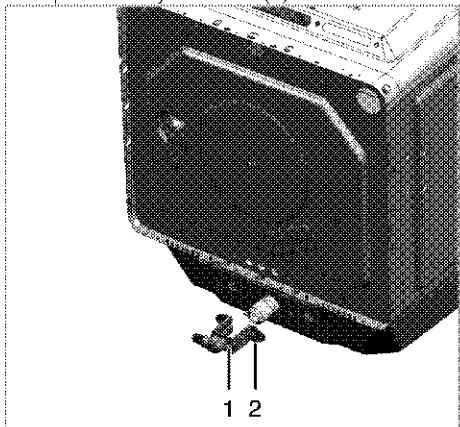
- 1 Arzător grill
- 2 Suportul injectorului
- 3 Injector

Schimbarea injectorului cuptorului

1. Răsuciți toate butoanele de control în poziția oprit de pe panoul de control.
2. Întrerupeți alimentarea cu gaz.
3. Deșurubați șuruburile de fixare a peretelui din spate.



4. Deșurubați cele 2 șuruburi (2) ale suportului injectorului (1).

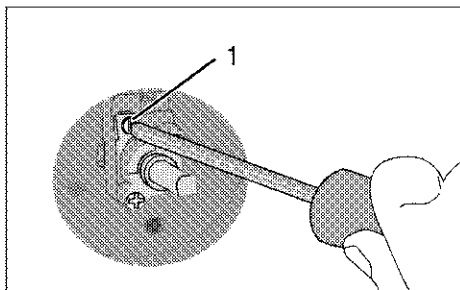


- 1 Suportul injectorului
- 2 Șurub
5. Extrageți suportul injectorului.
6. Deșurubați injectorul rotindu-l în sens invers acelor de ceasornic.
7. Montați injectorul nou.

Reglarea debitului redus pentru cuptorul cu gaz

Verificarea periodică a reglajului este extrem de importantă pentru funcționarea corespunzătoare a cuptorului. Pentru siguranță maximă, instrucțiunile din acest manual trebuie urmate cu atenție.

1. Aprindeți arzătorul care trebuie reglat și rotiți butonul la putere maximă.
2. Închideți ușa cuptorului și așteptați 10 - 15 minute înainte de a efectua reglajul.
3. Scoateți butonul.
4. După 15 minute, rotiți butonul la flacăra mică.

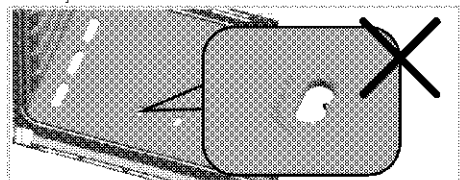


5. Reglați flacăra la o înălțime de 2-3mm folosind șurubul 1 de pe robinetul cuptorului. Rotiți șurubul în sens acelor de ceasornic pentru a reduce flacăra, sau în sens contrar acelor de ceasornic pentru a mări flacăra.

i Dacă debitul de gaz de cuptor nu poate fi setat cu eliminarea buton, vă rugăm să eliminați părțile cuptorului necesare (pe panoul de control, placa de arzător etc.) și apoi setați debitul de gaz de cuptor.

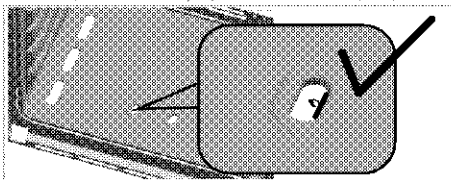
i Dacă temperatura cuptorului crește nejustificat, opriți cuptorul și apelați la un agent de service autorizat pentru a repara termostatul cuptorului.

Potrivii flacăra la înălțimea optimă, conform figurii de mai jos, cu ajutorul șurubului 1 de pe robinetul cuptorului. Rotirea în sens orar reduce flacăra, rotirea în sens antiorar mărește flacăra.

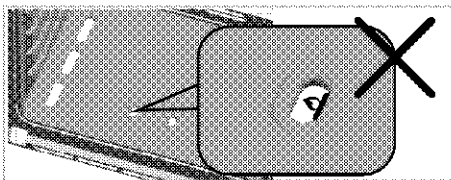


Dacă flacăra este prea mică,

* e posibil ca temperatura din interiorul cuptorului să fie prea mică, ceea ce va afecta performanța procesului de preparare.



Înălțimea ideală a flăcării oferă cele mai bune rezultate.





Dacă flacăra este prea mare,
* e posibil ca temperatura din interiorul cuptorului să fie prea mare, ceea ce va afecta performanța procesului de preparare.

i După ce faceți reglajul flăcării deschideți și închideți ușa în mod repetat și asigurați-vă că flacăra nu se stinge.

i Dacă ați schimbat tipul gazului, trebuie să schimbați și plăcuța de identificare care indică tipul gazului folosit de aparat.

De la gaz natural la butan/propan (GPL)	De la butan/propan (GPL) la gaz natural (G20 20mbar/ G25 25 mbar / G25.3 25mbar)
Strângeți șurubul prin răscucirea acestuia până la capăt în sens orar.	Slăbiți șurubul 180° (aproximativ)

De la gaz natural la butan/propan (GPL)	De la butan/propan (GPL) la gaz natural (G20 10mbar/ G20 13 mbar)
Strângeți șurubul prin răsucirea acestuia până la capăt în sens orar.	Slăbiți șurubul 270° (aproximativ)
	

De la gaz natural la butan/propan (GPL)	De la butan/propan (GPL) la gaz natural (G2 350 13mbar gaz local în Polonia)
Strângeți șurubul prin răsucirea acestuia până la capăt în sens orar.	Slăbiți șurubul 360° (aproximativ)
	

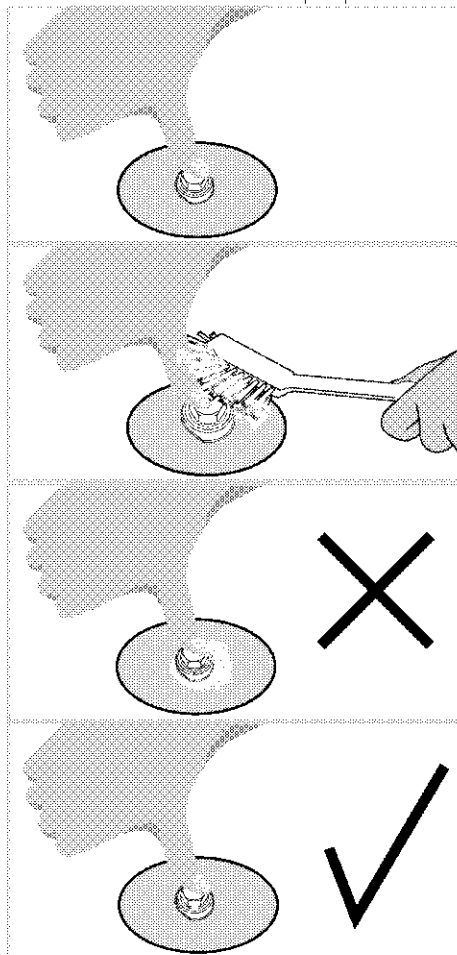
i Ajustarea debitului redus poate varia în funcție de produs, arzător și tipul de gaz. Asigurați-vă că înălțimea flăcării este conform figurii de mai sus.

Verificare scurri la injectoare

Înainte de a efectua conversia produsului, asigurați-vă că toate butoanele de control sunt pe poziția off (oprit). După conversia corectă a injectoarelor, fiecare injector trebuie verificat de scurgeri de gaze.

1. Asigurați-vă că alimentarea cu gaz la produs este pornită, menținând toate butoanele de control pe poziția off (oprit).
2. Fiecare orificiu de injector este blocat cu un deget, aplicând o forță rezonabilă pentru a opri scurgerea de gaz atunci când butonul de control corespunzător e pe poziția on (pornit) și a rămas în poziția neapăsată pentru a permite gazului să ajungă la injector.

3. Aplicați apă cu săpun la îmbinarea injectorului cu o mică perie, dacă există scurgere de gaz la îmbinarea injectorului, apa cu săpun va face bule. În acest caz, strângeți injectorul cu o forță rezonabilă și repetați procesul pasului 3 încă o dată.
4. Dacă spuma persistă, trebuie să opriți alimentarea cu gaz imediat și chemați un agent de service autorizat sau un tehnician autorizat. Nu folosiți produsul decât după ce un reprezentant autorizat de service a intervenit asupra produsului.



4 Pregătiri

Sfaturi pentru economisirea energiei

Următoarele informații vă vor ajuta să protejați mediul înconjurător și să economisiți energie:

- Folosiți recipiente de culoare închisă sau emailate în cuptor, deoarece transferul de căldură va fi mai eficient.
- La prepararea mâncărilor, preîncălziți cuptorul dacă se specifică în manualul de utilizare sau în rețetă.
- Nu deschideți frecvent ușa cuptorului în timpul gătirii.
- Încercați pe cât posibil să gătiți simultan mai multe feluri de mâncare în cuptor. Puteți să amplasați câte două recipiente pe grilajul metalic.
- Gătiți succesiv mai multe feluri de mâncare. Astfel, nu va fi necesar să preîncălziți din nou cuptorul.
- Decongelați alimentele congelate înainte de a le găti.
- Folosiți recipiente cu capac pentru prepararea mâncărilor. În lipsa capacului, consumul de energie poate crește de 4 ori.
- Selectați arzătorul în funcție de dimensiunea bazei recipientului utilizat. Alegeți recipiente de dimensiune adaptată la mâncarea preparată. Recipientele mari necesită mai multă energie.
- Informații privind eficiența energetică în conformitate cu UE 66/2014 pot fi găsite în fișa produsului furnizată împreună cu produsul.

Prima utilizare

Curățarea inițială a aparatului

- i** Suprafața poate fi deteriorată de unii detergenți sau materiale de curățare. Nu folosiți obiecte ascuțite, prafuri / creme de curățare sau detergenți agresivi.

1. Îndepărtați toate ambalajele.

2. Ștergeți suprafețele aparatului cu o cârpă umedă sau cu un burete umed, apoi uscați-le cu o cârpă.

Încălzirea inițială

Încălziți produsul timp de circa 30 de minute, apoi opriți-l. Astfel vor fi arse și îndepărtate eventualele reziduuri sau pelicule rămase după fabricație.



Suprafețele fierbinți provoacă arsuri! Produsul se poate înfierbânta în timpul utilizării. Nu atingeți arzătoarele fierbinți, interiorul cuptorului, arzătoarele etc. Țineți copiii la distanță. Folosiți mănuși de cuptor termoizolatoare când introduceți sau scoateți alimente în/din cuptorul fierbinte.

Cuptor cu gaz

1. Scoateți toate tăvile și grilajele din cuptor.
2. Închideți ușa cuptorului.
3. Selectați flacăra maximă în cuptor; vezi *Utilizarea cuptorului cu gaz, pagina 32*.
4. Lăsați cuptorul să funcționeze circa 30 de minute.
5. Opriți cuptorul; vezi *Utilizarea cuptorului cu gaz, pagina 32*

Cuptor cu grill

1. Scoateți toate tăvile și grilajele din cuptor.
2. Închideți ușa cuptorului.
3. Selectați grătarul; vezi *Utilizarea grill-ului cu gaz, pagina 34*.
4. Lăsați cuptorul să funcționeze circa 30 de minute.



Este posibil ca timp de câteva ore după prima pornire, cuptorul să emită fum și mirosuri. Acesta este un fenomen normal. Ventilați bine încăperea pentru a elimina fumul și mirosurile. Evitați inhalarea directă a fumului și a mirosului emis.

5 Utilizarea plitei

Informații generale despre prepararea alimentelor



Nu umpleți vasele pe mai mult de o treime cu ulei. Nu lăsați nesupravegheată plita când încălziți uleiul. Uleiul supraîncălzit poate provoca incendii. **Nu încercați să stingeți eventualul incendiu cu apă!** Dacă uleiul s-a aprins, acoperiți-l cu o pătură ignifugă sau cu o cârpă umedă. Opriti plita dacă este posibil și telefonați la pompieri.

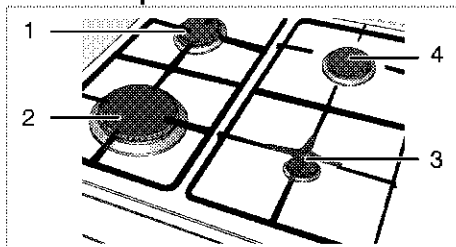
- Uscați alimentele pe care urmează să le prăjiți înainte de a le așeza în uleiul încălzit. Dezghețați complet alimentele înainte de a le prăji.
- Nu acoperiți vasul în care încălziți uleiul.
- Așezați cratițele și tigăile astfel ca mânerele acestora să nu fie deasupra plitei, pentru a evita înfierbântarea acestora. Nu așezați pe plită recipiente instabile, care se pot răsturna ușor.
- Nu puneți pe zonele de gătit pornite ale plitei recipiente și tigăi goale. Acestea se pot deteriora.
- Produsul se va deteriora dacă porniți zonele pentru gătit fără a așeza pe ele recipiente. Opriti zonele de gătit după ce ați terminat de gătit.
- Nu așezați recipiente de plastic sau aluminiu pe suprafața plitei, aceasta poate fi fierbinte.
Nu folosiți astfel de recipiente pentru păstrarea alimentelor.
- Folosiți numai recipiente cu fundul plat.
- Puneți cantități adecvate de alimente în recipientele pentru gătit. Astfel preveniți vărsarea acestora și nevoia de a curăța plita.
- Nu așezați capacele recipientelor de gătit pe zonele de gătit.
Așezați recipientele în centrul zonelor de gătit. Mutati recipientele de pe o zonă de gătit pe alta ridicându-le; nu le trageți pe suprafața plitei.

Gătitul cu gaz

- Dimensiunea recipientului și a flăcării trebuie să fie similare. Potriviti flacăra

încât să nu depășească baza recipientului și centrați recipientul pe suport.

Utilizarea plitelor



- 1 Arzător normal 18-20 cm
- 2 Arzător rapid 22-24 cm
- 3 Arzător auxiliar 12-18 cm
- 4 Arzător normal 18-20 cm reprezintă diametrul recomandat al recipientelor amplasate pe arzătoarele respective.



Nu utilizați tigăi de gătit peste limitele de dimensiuni menționate mai sus. Folosirea tigăilor mari poate cauza intoxicația cu monoxid de carbon, supraîncălzirea suprafețelor adiacente și a butoanelor de comandă. Folosirea tigăilor mai mici creează riscul de arsuri provocate de flacăra.



Păr ile sau componentele produsului dvs. pot fi deteriorate din cauza căldurii mari în timpul gătitului cu accesorii similare utilizate pentru fabricarea jarului și nerecomandate în manual. Daunele cauzate de o astfel de utilizare sunt responsabilitatea utilizatorului.

Simbolul cu flacăra mare indică puterea maximă de gătit, iar cel cu flacăra mică indică puterea minimă. În poziția oprit (sus), arzătoarele nu sunt alimentate cu gaz.

Aprinderea arzătoarelor pe gaz



Arzătoarele pe gaz sunt aprinse cu ajutorul butoanelor de aprindere.

1. Țineți butonul arzătorului apăsat.

2. Rotiți-l în sens anti orar spre simbolul flacără mare.
3. Apăsăți scurt butonul de aprindere. Repetați procesul până când flacăra se aprinde.
4. Reglați flacăra după caz.

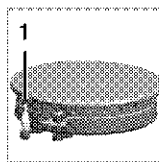
Oprirea arzătoarelor pe gaz

Rotiți butonul arzătorului în poziția oprit (cea de sus).



În cazul în care flăcările arzătorului se sting accidental, opriți controlul arzătorului și nu încercați să reaprindeți arzătorul timp de cel puțin 1 minut.

Sistemul de siguranță pentru oprirea gazului (pentru modelele cu componentă termică)



Sistemul de siguranță pentru oprirea gazului are rolul de a preveni exploziile cauzate de scurgerile de gaz.

1. Sistem de siguranță pentru oprirea gazului

- Apăsăți butonul și rotiți-l în sens anti-orar pentru aprindere.
- După aprinderea gazului țineți butonul apăsat încă 3-5 secunde pentru a activa sistemul de siguranță.
- Dacă gazul nu se aprinde după apăsarea și eliberarea butonului, repetați procesul ținând butonul apăsat timp de 15 secunde.



Eliberați butonul dacă arzătorul nu s-a aprins în 15 secunde.

Așteptați cel puțin 1 minut înainte de a încerca din nou. Pericol de acumulare a gazului și de explozie!

6 Utilizarea cuptorului

Informații generale referitoare la cocere, fripturi și prepararea la grill



Suprafețele fierbinți provoacă arsuri! Produsul se poate înfierbânta în timpul utilizării. Nu atingeți arzătoarele fierbinți, interiorul cuptorului, arzătoarele etc. Țineți copiii la distanță. Folosiți mănuși de cuptor termoizolatoare când introduceți sau scoateți alimente în/din cuptorul fierbinte.



Atenție la deschiderea ușii cuptorului, deoarece pot ieși aburi. Aburii evacuați vă pot opări mâinile, fața și / sau ochii.

Sfaturi pentru copt

- Folosiți recipiente din metal sau aluminiu cu strat anti aderent sau forme din silicon termorezistent.
- Utilizați adecvat spațiul de pe raft.
- Amplasați forma de copt în mijlocul raftului.
- Selectați poziția corectă a raftului înainte de a porni cuptorul sau grill-ul. Nu schimbați poziția raftului în timp ce cuptorul este fierbinte.
- Mențineți ușa cuptorului închisă.

Sfaturi pentru fripturi

- Veți obține rezultate mai bune dacă tratați înainte de gătire puii întregi, curcanii întregi sau bucățile mari de carne roșie cu dressinguri, cum ar fi suc de lămâie și piper negru.
- Prepararea cărnii cu oase durează cu circa 15-30 de minute mai mult decât prepararea unei bucăți de carne de aceeași dimensiune fără oase.
- Fiecare centimetru de grosime a cărnii necesită aproximativ 4 - 5 minute pentru preparare.
- Lăsați carnea în cuptor timp de circa 10 minute după încheierea perioadei de preparare. Astfel, sucurile se vor distribui mai bine în friptură și nu vor curge la tăierea acesteia.

- Peștele trebuie amplasat pe raftul mijlociu sau inferior, într-un recipient termorezistent.

Sfaturi pentru prepararea la grill

Carnea, peștele și puiul preparate la grill se rumenesc rapid, au o crustă frumoasă și nu se usucă. Feliile de carne, frigăruile și cârnații sunt ideale pentru prepararea la grill, precum și legumele cu conținut ridicat de apă, cum ar fi roșiile și cepele.

- Distribuți alimentele care trebuie preparate la grill pe grilajul metalic sau în tava de copt cu grilaj metalic, astfel încât spațiul ocupat să nu depășească dimensiunea elementului de încălzire.
- Culisați grilajul sau tava de copt cu grilaj la nivelul dorit al cuptorului. Dacă folosiți grilajul, culisați tava de copt pe șina de jos pentru a colecta grăsimea. Tava de copt culisată trebuie să acopere întreaga zonă de gătit. Această tavă poate să nu fie furnizată împreună cu produsul. Pentru a simplifica curățarea, adăugați puțină apă în tava de copt.



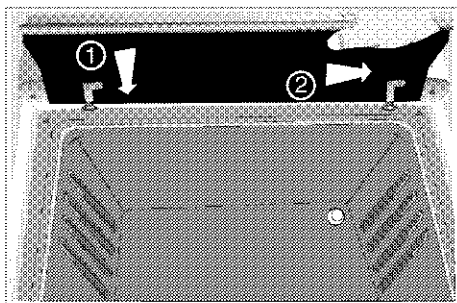
Alimentele inadecvate pentru prepararea la grill pot provoca incendii. Preparați la grill numai alimente care rezistă la căldură intensă.

Nu amplasați alimentele prea departe în zona din spate a grill-ului. Aceasta este cea mai fierbinte zonă, iar alimentele grase se pot aprinde.

Montați scutul termic.

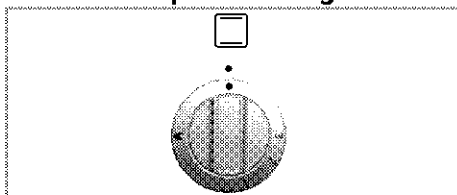
Scutul termic este folosit pentru prepararea la grill cu ușa cuptorului deschisă. Acesta protejează panoul de control și butoanele împotriva căldurii și reziduurilor.

1. Deschideți ușa cuptorului și amplasați scutul termic pe știfturile de sub panoul de control.



» Cu scutul termic montat, ușa cuptorului rămâne deschisă.

Utilizarea cuptorului cu gaz



Cuptorul cu gaz poate fi utilizat prin intermediul butonului acestuia. În poziția Oprit (sus), alimentarea cu gaz este oprită.

Pornirea cuptorului cu gaz

Flacăra cuptorului cu gaz se aprinde folosind butonul de aprindere.

1. Deschideți ușa cuptorului.
 2. Mențineți apăsat butonul cuptorului și rotiți-l **în sens contrar acelor de ceasornic**.
 3. Apăsăți butonul de aprindere, apoi eliberați-l.
 4. Mențineți apăsat butonul cuptorului pentru 3 - 5 secunde.
- » Repetați procesul până când gazul se aprinde.
5. Mențineți apăsat butonul cuptorului pentru încă 3 - 5 secunde. Verificați dacă gazul s-a aprins.
 6. Reglați la temperatura / nivelul dorit.
 7. În cazul în care curentul electric este întrerupt, aprindeți gazul cu bricheta din oficiul de aprindere.



Pericol de comprimare a gazului și de explozie!

Nu încercați să aprindeți gazul mai mult de 15 secunde. Dacă arzătorul nu se aprinde în 15 secunde, închideți robinetul și așteptați 1 minut. Ventilați încăperea înainte de a reîncerca aprinderea arzătorului. Pericol de comprimare a gazului și de explozie!

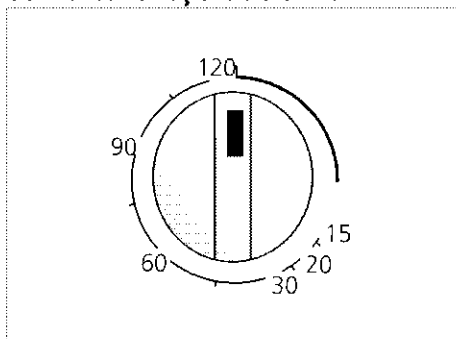
Oprirea cuptorului cu gaz

1. Rotiți butonul cuptorului în poziția închis (sus).

Semnificația nivelurilor gazului:

Nivel gaz	1	2	3
°C			

Utilizarea funcției de alarmă



Alarma nu influențează funcțiile cuptorului. Are doar rol de avertizare. De exemplu, o puteți folosi când trebuie să întoarceți mâncarea în cuptor la un anumit interval. Ceasul cu alarmă va emite un semnal după scurgerea perioadei alese.

Setarea ceasului cu alarmă

1. Rotiți butonul de reglare a duratei în sensul acelor de ceasornic pentru a alege durata alarmei.
2. Butonul se va roti în sens contrar acelor de ceasornic la sfârșitul duratei de gătire și va fi emis semnalul sonor. Ceasul cu alarmă nu oprește cuptorul.

i Rotiți butonul Funcție în sens contrar acelor de ceasornic în poziția oprit pentru a opri cuptorul.

i Intervalele din acest tabel sunt orientative. Acestea pot varia în funcție de temperatura, grosimea și tipul alimentelor, precum și de preferințele dvs. culinare.

Tabelul duratelor de preparare

i Prima șină a cuptorului este cea inferioară.

i Sarcină maximă admisă pentru tava cuptorului: 4 kg (8,8 lb).

Amplasați recipientele pe o hârtie de copt pentru a preveni stropirea bazei cuptorului și a-l menține curat.

Coacerea și prepararea fripturilor

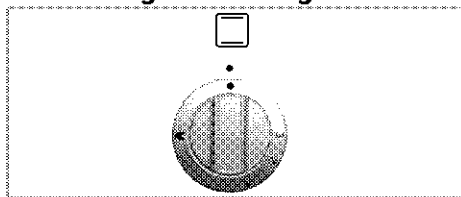
Alimente	Accesorii pentru utilizare	Preincalzire *	Nivel amplasare	Poziție buton control	Durata preparare
Plăcintă cu mere	Vas rotund, negru, din metal, cu diametru de 20 de cm pe grătar din sârmă***	10 min.	2	1	80...110 min.
Tartă cu fructe	Vas rotund, negru, din metal, cu diametru de 20 de cm pe grătar din sârmă***	10 min.	4	1	20...40 min.
Plăcintă	Vas rotund, negru, din metal, cu diametru de 20 de cm pe grătar din sârmă***	10 min.	4	1	20...40 min.
Fursecuri	Tavă standard**	10 min.	4	1	25...35 min.
Aluat dospit	Tavă standard**	10 min.	4	1	40...60 min.
Cozonac	Formă de prăjitură pe grătar***	10 min.	3	1	75...85 min.
Biscuiți	Tavă standard**	10 min.	4	1	25...35 min.
Friptură de miel	Tavă standard**	10 min.	3	1	60...100 min. pe 450 g + 30 min.
Friptură de vită	Tavă standard**	10 min.	3	1	80...120 min. pe 450 g + 30 min.
Carne de pasăre	Tavă standard**	10 min.	3	1	60...80 min. pe 450 g + 25 min.
Caserole	Tavă standard**	10 min.	3	1	90...120 min.
Pește	Tavă standard**	10 min.	4	1	35...45 min.
Macaroane	Tavă standard**	10 min.	4	1	40...60 min.
Blat	Tavă standard**	10 min.	4	1	30...40 min.

* la poziție buton control 2 / 5 în funcție de cantitate / * în funcție de mărime

** Aceste accesorii pot să nu fie furnizate împreună cu produsul.

*** Aceste accesorii nu sunt furnizate împreună cu produsul. Sunt accesorii disponibile pe piață.

Utilizarea grill-ului cu gaz



Grill-ul poate fi acționat folosind butonul Grill. În poziția oprit (sus), gazul este oprit. Ușa cuptorului trebuie să rămână deschisă în timpul folosirii grill-ului.



Suprafetele fierbinți provoacă arsuri!
Nu lăsați copiii să se apropie de produs.
Ușa cuptorului rămâne ușor înclinată când este complet deschisă; astfel, vă protejează de eventualele stropiri.

Pornirea grill-ului

Flacăra grill-ului se aprinde folosind butonul de aprindere.

1. Deschideți ușa cuptorului.
2. Mențineți apăsat butonul și rotiți-l în **sensul acelor de ceasornic** spre simbolul grill-ului.
3. Apăsăți scurt butonul de aprindere.
» Repetați procedura până când flacăra se aprinde.
4. Mențineți apăsat butonul încă 3 - 5 secunde.
5. Asigurați-vă că grill-ul este aprins.
6. Dacă electricitatea este întreruptă, aprindeți arzătorul grill-ului cu o brichetă sau un chibrit.

Prepararea la grill cu gaz

Alimente	Pregătire/amplasare	Durată grill *
Prăjire produse panificație	3...10 min.
Bucăți mici de carne, cârnac, șuncă etc.	15...20 min.
Pulpe, șuncă afumată, bucăți de pui etc.	Pui pe grătar răsturnat.	20...25 min.
Pește întreg, file de pește, batoane de pește	Pește întreg și file de pește amplasate în partea inferioară a tăvii pentru grill.	10...20 min.
Pește în pesmet	15...20 min.
Produse din cartofi semipreparate	15...20 min.
Pizza	Amplasată în partea inferioară a tăvii pentru grill.	12...15 min.
Prepararea la grill/Rumenirea alimentelor	Alimente amplasate direct pe partea inferioară a compartimentului grill-ului.	8...10 min.

* în funcție de dimensiune resp. grosime



Pericol de comprimare a gazului și de explozie!
Nu încercați să aprindeți gazul mai mult de 15 secunde. Dacă arzătorul nu se aprinde în 15 secunde, închideți robinetul și așteptați 1 minut. Ventilați încăperea înainte de a reîncerca aprinderea arzătorului. Pericol de comprimare a gazului și de explozie!

Oprirea grill-ului

1. Rotiți butonul grill-ului în poziția Oprit (cea de sus).



Alimentele inadecvate pentru prepararea la grill pot provoca incendii. Pregătiți la grill numai alimente care rezistă la căldură intensă.

Nu amplasați alimentele prea departe în zona din spate a grill-ului. Aceasta este cea mai fierbinte zonă, iar alimentele grase se pot aprinde.

Tabelul duratelor de preparare



Intervalele din acest tabel sunt orientative. Acestea pot varia în funcție de temperatura, grosimea și tipul alimentelor, precum și de preferințele dvs. culinare.



Prima șină a cuptorului este cea **inferioară**.

7 Întreținere și curățare

Informații generale

Curățați produsul regulat pentru a-i prelungi durata de funcționare și a evita problemele frecvente de funcționare.

! Deconectați aparatul de la priză înainte de a începe curățarea sau întreținerea acestuia.
Pericol de electrocutare!

! Lăsați produsul să se răcească înainte de curățare.
Suprafețele fierbinți provoacă arsuri!

- Curățați bine produsul după fiecare folosire. Astfel, reziduurile pot fi îndepărtate mai ușor, evitându-se arderea lor la următoarea utilizare a aparatului.
- Curățarea produsului nu necesită substanțe de curățare speciale. Pentru curățarea produsului folosiți apă caldă cu lichid de spălat vase, un burete sau o cârpă moale, apoi ștergeți-l cu o cârpă uscată.
- Uscati cuptorul în interior după ce îl curățați ștergeți imediat lichidele varsate sau scurse.
- Nu folosiți substanțe de curățare care conțin acid sau clor pentru curățarea mânerului și suprafețelor din oțel inoxidabil. Folosiți o cârpă moale cu detergent lichid (neabraziv) pentru a curăța aceste piese, ștergând într-o singură direcție.
- **(Această caracteristică este opțională. Este posibil ca aceasta să nu existe la produsul dvs.)**
Nu folosiți spatule metalice sau substanțe abrazive pentru curățarea capacului de sticlă. Suprafața de sticlă se poate deteriora.

i Suprafața poate fi deteriorată de unii detergenți sau materiale de curățare. Nu folosiți obiecte ascuțite, prafuri / creme de curățare sau detergenți agresivi.

i Nu folosiți sisteme cu aburi pentru a curăța acest aparat, deoarece există pericol de șoc electric.

Curățarea plitei

Curățarea arzătorului

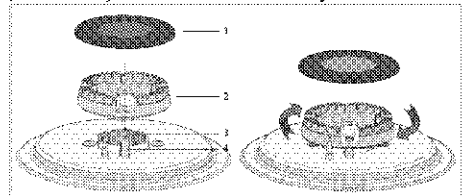
1. Demontați suporturile pentru recipiente de pe plită.
2. Demontați toate piesele demontabile ale arzătorului și curățați-l doar manual folosind un burete, detergent și apă caldă.
3. Curățați piesele nedemontabile ale arzătorului cu o cârpă udă.
4. Curățați aprinzătorul și elementul termic (la modelele cu aprindere și element termic) cu o cârpă ușor umezită. Uscati-le apoi cu o cârpă curată. Asigurați-vă că orificiile pentru flacără și aprinderea sunt complet uscate.

În caz contrar, nu se va produce scânteie de aprindere.

5. Când montați grilajele superioare, aveți grijă să așezați suporturile pentru recipiente astfel încât arzătoarele să fie centrate.

Asamblarea pieselor arzătorului

După curățarea arzătorului, poziționați piesele așa cum se arată mai jos.



- 1 Capac arzător
- 2 Cap arzător
- 3 Camera de ardere
- 4 Aprinzător (la modelele cu aprindere)

1. Poziționați capul arzătorului astfel încât să treacă prin orificiul pentru aprinzător (4). Rotiți capul arzătorului în dreapta și stânga astfel încât să fie fixat pe camera de combustie.
2. Amplasați capacul arzătorului pe capul arzătorului.

Curățarea panoului de control

Curățați panoul de control și butoanele acestuia cu o cârpă umedă, apoi ștergeți-le cu o cârpă uscată.

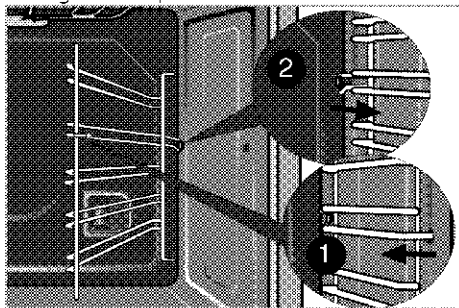
i Dacă produsul dvs. este echipat cu butoane, nu le demontați când curățați panoul de comandă. Panoul de comandă se poate deteriora!

Curățarea cuptorului

Pentru a curăța peretele lateral (Variază în funcție de model.)

(Această caracteristică este opțională. Este posibil ca aceasta să nu existe la produsul dvs.)

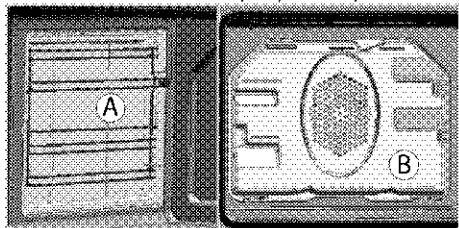
1. Demontați secțiunea frontală a grătarului lateral trăgându-l în direcție opusă față de perete.
2. Scoateți complet grătarul lateral trăgându-l spre dvs.



Pereți cu strat catalitic

(Această caracteristică este opțională. Este posibil ca aceasta să nu existe la produsul dvs.)

Pereții interiori laterali (A) și/sau pereții din spate (B) ai produsului dvs. pot fi acoperiți cu email catalitic. Pereții catalitici au culoarea mată deschisă și suprafața poroasă. Pereții catalitici ai cuptorului nu trebuie curățați. Mulțumită structurii perforate, suprafețele cu strat catalitic absorb grăsimea, și încep să lucească odată ce se umplu cu grăsime. În acest caz se recomandă înlocuirea părților respective.



Curățați ușa cuptorului.

Pentru curățarea ușii cuptorului, folosiți apă caldă cu lichid de spălat vase, un burete sau o cârpă moale, apoi ștergeți-o cu o cârpă uscată.

Ștergeți sticla cu o et și apoi clătiți-o împotriva reziduurilor de calcar care pot apărea pe sticla cuptorului.

i Nu folosiți substanțe de curățare abrazive dure sau palete metalice ascuțite pentru a curăța ușa cuptorului. Acestea pot zgâria suprafața și distruge sticla.

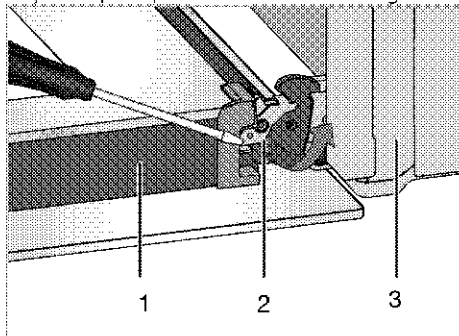
Curățarea ușii cuptorului

i Nu folosiți produse de curățare abrazive dure, instrumente metalice ascuțite, burete de sârmă sau înălbitor, pentru a curăța ușa și geamul cuptorului.

Puteți îndepărta ușa cuptorului și geamurile ușii, pentru a le curăța. Modul îndepărtării ușilor și geamurilor este explicat în secțiunile „Îndepărtarea ușii cuptorului” și „Îndepărtarea geamului interior al ușii”. După scoaterea geamurilor interioare ale ușii, curățați-le cu detergent de vase, apă caldă și o cârpă moale sau burete, și uscați-le cu o cârpă uscată. Ștergeți sticla cu o et și apoi clătiți-o împotriva reziduurilor de calcar care pot apărea pe sticla cuptorului.

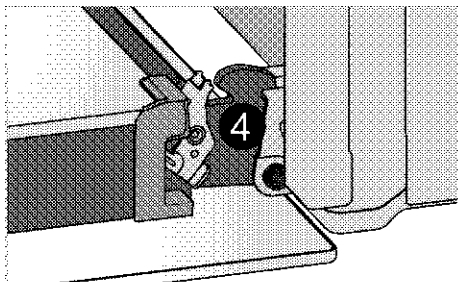
Demontarea ușii cuptorului

1. Deschideți ușa frontală (1).
2. Deschideți clemele balamalelor (2) stânga și dreapta apăsându-le conform figurii.

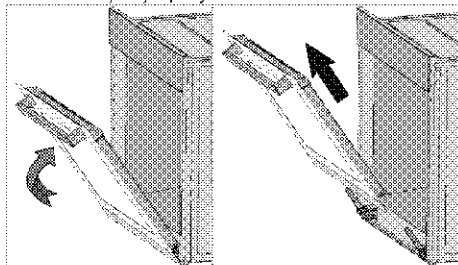


1 Ușă

- 2 Blocarea balamalei(poziție închisă)
- 3 Cuptor
- 4 Blocarea balamalei(poziție deschisă)



3. Închideți ușa pe jumătate.



4. Demontați ușa trăgând-o în sus pentru a o scoate din balamale.

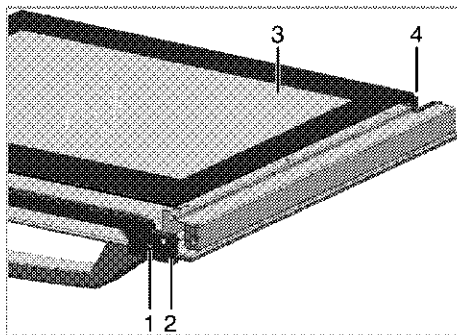
i Efectuați în ordine inversă etapele procesului de demontare pentru a monta ușa. Nu uitați să închideți clemele balamalelor după montarea la loc a ușii.

Demontarea geamului interior al ușii

(Această caracteristică este opțională. Este posibil ca aceasta să nu existe la produsul dvs.)

Geamul interior al ușii cuptorului poate fi demontat pentru curățare.

1. Deschideți ușa cuptorului.



- 1 Șurub
 - 2 Profil
 - 3 Geam interior
 - 4 Fantă din plastic
2. Desfaceți șurubul (1) cu o șurubelniță
3. Scoateți profilul (2) care fixează geamul interior (3).
4. Reasamblați apoi ușa; amplasați panoul de sticlă (3) în fantele din plastic (4) și asamblați profilul.

Înlocuirea lămpii cuptorului

! Înainte de a înlocui lampa cuptorului, asigurați-vă că produsul este deconectat de la priză și răcit pentru a evita șocurile electrice. Suprafețele fierbinți provoacă arsurii!

i În acest cuptor se folosește o lampă incandescentă cu o putere mai mică de 40 W, o înălțime mai mică de 60 mm, un diametru mai mic de 30 mm sau o lampă cu halogen cu priză tip G9, o putere mai mică de 60 W. Lămpile sunt potrivite pentru funcționarea la temperaturi peste 300 ° C. Lămpile pentru cuptor pot fi obținute de la agenții de service autorizați sau de la un tehnician cu licență. Acest produs conține o lampă din clasa energetică G.

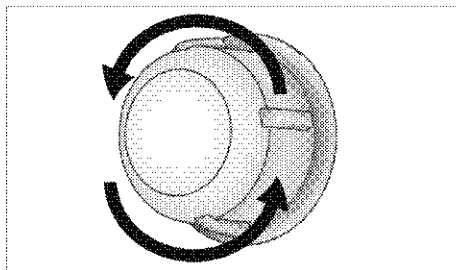
i Poziția lămpii poate fi diferită față de figură.

i Lampa utilizată în acest produs nu este indicată pentru iluminatul camerei. Scopul destinat al acestei lămpi este de a sprijini utilizatorul în vizualizarea produselor alimentare.

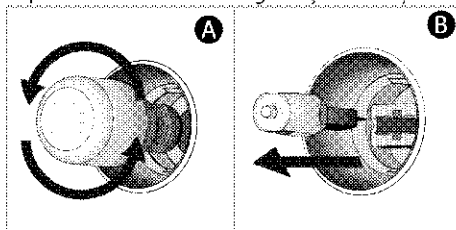
i Lămpile utilizate în acest produs trebuie să reziste la condiții fizice extreme cum ar fi temperaturi de peste 50 °C.

Dacă cuptorul dv. este dotat cu o lampă rotundă:

1. Deconectați produsul de la priză.
2. Rotiți capacul de sticlă în sens contrar acelor de ceasornic pentru a-l demonta.



3. Dacă lampa cuptorului prezentată în figura de mai jos este de tip (A), scoateți-o prin rotirea indicată și înlocuiți-o. Dacă este de tip (B), trageți și scoateți-o precum se indică în figură și înlocuiți-o.



4. Montați capacul din sticlă.

8 Remedierea problemelor

Cuptorul emite aburi în timpul funcționării.

- Leșirea aburului în timpul funcționării este normală. >>> *Acest lucru nu reprezintă o defecțiune.*

Produsul emite zgomote metalice în timpul încălzirii și răcirii.

- Când piesele de metal se încălzesc, se dilată și pot emite zgomote. >>> *Acest lucru nu reprezintă o defecțiune.*

Nu se produce scântea de aprindere.

- Aparatul nu este alimentat cu curent. >>> *Verificați tabloul de siguranțe.*
- Ora nu este setată. >>> *Setați ora.*

Gazul este întrerupt.

- Robinetul principal de gaz este închis. >>> *Deschideți robinetul de gaz.*
- Conducta de gaz este îndoită. >>> *Montați corect conducta de gaz.*

Arzătoarele ard neuniform sau nu ard deloc.

- Arzătoarele sunt murdare. >>> *Curățați componentele arzătorului.*
- Arzătoarele sunt ude. >>> *Uscați componentele arzătorului.*
- Capacul arzătorului nu este amplasat corect. >>> *Amplasați corect capacul arzătorului.*
- Robinetul de gaz este închis. >>> *Deschideți robinetul de gaz.*
- Butelia de gaz este goală (dacă se folosește GPL). >>> >>> *Înlocuiți cilindrul de gaz.*

(Pentru modelele cu ceas) Afișajul ceasului clipește sau simbolul ceasului este aprins.

- A intervenit o pană de curent. >>> *Reglați ora / Opriti aparatul și porniți-l din nou.*



Dacă instrucțiunile din această secțiune nu v-au ajutat să remediați problema, contactați agentul de service autorizat sau dealerul de la care ați cumpărat produsul. Nu încercați să reparați pe cont propriu produsul defect.

Reteaua de service ARCTIC

Sediul Central Service Gaesti

Str. 13 Decembrie nr. 210 , Gaesti , Jud. Dambovita

Programul de functionare al Centrului de apeluri

Luni – Vineri : 08:30 - 20:00

Sambata : 08:30 - 17:00

E-mail: service@arctic.ro

Centrul de apeluri Arctic si Beko

*9010, numar apelabil din orice retea

Centrul de apeluri Grundig

*9020, numar apelabil din orice retea

Alte numere Centrul de apeluri

0245 – 605 111 , numar apelabil in reseaua Romtelecom

0372 – 015 111, numar apelabil in reseaua Vodafone

Nr. Crt.	JUDET	REPREZENTANTA	ADRESA
1.	ALBA	ALBA IULIA	Bd. Transilvaniei , bl 3EFG, spatiu comercial , nr 27
2.	ARAD	ARAD	Piata Arenei nr 6 , bl. E , sc. A , parter
3.	ARGES	PITESTI	Bd. Fratii Gloesti , nr. 59 ,bl. S9c , sc. B , parter
4.	BACAU	BACAU	Str. Energiei , nr. 39 , sc. B , parter
5.	BIHOR	ORADEA	Bd. I Dacia , nr. 54 , bl.U4, spatiu comercial II
6.	BISTRITA NASAUD	BISTRITA	Str. Constantin Roman Vivu , bl 1 , sc D , parter
7.	BRASOV	BRASOV	Str. Jepilor , nr. 2 , bl. A8
8.	BUCURESTI	BUCURESTI Decebal	Bd. Decebal, Nr.18 , Bloc S4 , sector 3

9.	BUZAU	BUZAU	Str. Ion Baiesu , nr FN , bl C2 , parter
10.	CARAS-SEVERIN	RESITA	Str. B.A. Petculescu , bl. 1
11.	CLUJ	CLUJ-NAPOCA	Str. Constantin Brancus , nr. 2
Nr. Cr.	JUDET	REPREZENTANTA	ADRESA
12.	CONSTANTA	CONSTANTA	Sos. Mangaliei , nr. 93 , bl. S , parter
13.	COVASNA	SF. GHEORGHE	Str. Nicolae Iorga , bl. 10 , sc. A
14.	DAMBOVITA	GAESTI	Str. 1 Decembrie , bl. 64
15.	DAMBOVITA	TARGOVISTE	Bd. I.C. Bratianu , nr. 34 , bl. D1C
16.	DOLJ	CRAIOVA	Bd. Decebal , nr. 53 , bl. 38 , sc. 1
17.	GALATI	GALATI	Str. Constructorilor , nr. 7
18.	GORJ	TARGU JIU	Str. 1 Decembrie 1918 , bl. 67
19.	HARGHITA	MIERCUREA CIUC	Str. Pietii , nr. 7 , sc. D , S.C. nr 3
20.	HUNEDOARA	DEVA	Bd. 22 Decembrie , nr. 33 , bl. 10
21.	IALOMITA	SLOBOZIA	Aleea Tipografiei , nr. 1 , bl. D1 , sc. C , parter
22.	IASI	IASI	Str. Sf. Lazar , nr. 6 , bl. Penes Curcanul , parter
23.	MARAMURES	BAIA MARE	Bd. Traian , nr. 12 , Spatiu Comercial nr 1
24.	MURES	TARGU MURES	Str. Libertatii , nr 97
25.	NEAMT	PIATRA NEAMT	Str. Iulian Antonescu , nr. 6 , bl. T6 , ap 16
26.	OLT	SLATINA	Bd. Nicolae Titulescu , nr. 21
27.	PRAHOVA	PLOIESTI	Str. Gheorghe Doja , nr.15 , bl. 35C, parter
28.	SALAJ	ZALAU	Str. Gheorghe Doja , nr. 91 , bl. D113
29.	SATU MARE	SATU MARE	Str. Piata Soarelui , bl. UU18
30.	SIBIU	SIBIU	Str. Fabricii , nr. 2 , ap. spatiu comercial
31.	SUCEAVA	SUCEAVA	Str. Marasesti , nr. 39A , bl.A12 , sc. A , parter
32.	TELEORMAN	ALEXANDRIA	Str. Dunarii , nr. 220 , bl. BM2F , parter , spatiu comercial
33.	TIMIS	TIMISOARA	Str. St. O. Iosif , nr . 2 , parter , SAD 2
34.	TULCEA	TULCEA	Str. Babadag , nr 7 , bl.3 , sc. B , parter , ap. FN
35.	VALCEA	RM. VALCEA	Bd. Tudor Vladimirescu , Nr.32 , bl. 5 , parter

